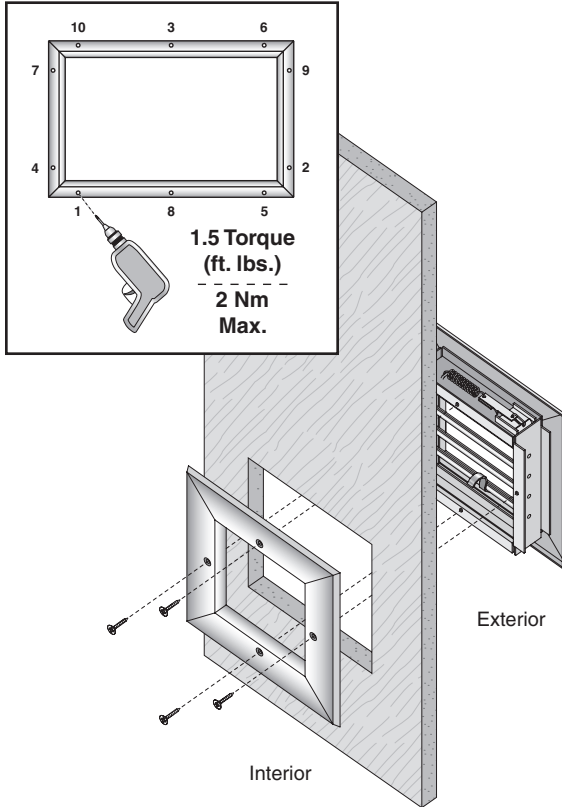




# FLDL-UL INSTALLATION

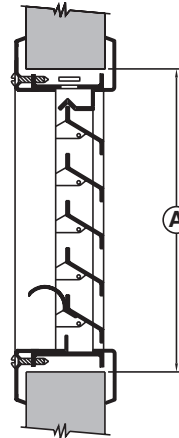


## STEEL DOOR

### NORTH AMERICA

UL-10C

45/60/90 minutes



### EUROPE

B.S. 476.22

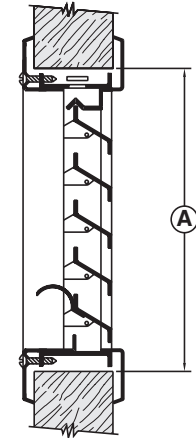
(Model FLDL)

## WOOD DOOR

### NORTH AMERICA

UL-10C

45/60/90 minutes



Ⓐ = Cutout / Order Size

The door cutout may require the use of reinforcement per door manufacturers listing.



**CAUTION:** Anemostat is not responsible for customer painted louvers, due to possible changes to the operating condition during a fire.