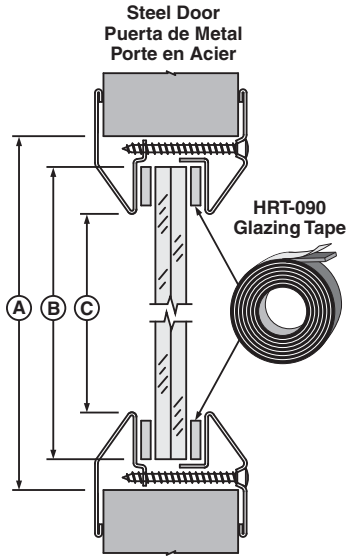
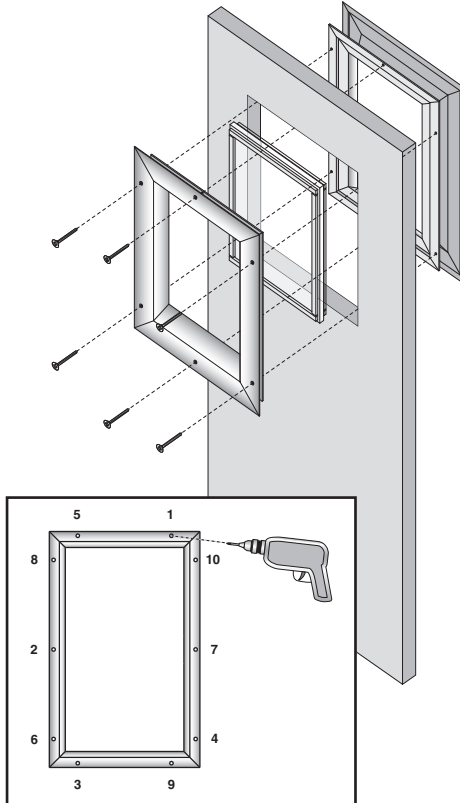




Florida Building Code
Hurricane Approved



$$\text{A} = \text{B} + 1" = \text{C} + 2-1/2"$$



Please examine product for defects
Prior to Installation.

1. Prepare cut-out in door per door manufacturer's specifications. Opening size should match order size.
2. Thoroughly clean and wipe vision frame in glass pocket area on both halves of frame using a 50/50 mixture of isopropyl alcohol (by others) and water.
3. Place non-screw hole side of frame in door cut out, so that mounting screws will be on the interior side of the door.
4. Peel back protective liner from tape on glass 3" on each corner on one side of glass.
5. Lay partially peeled backside of glass in glass pocket area of frame, keeping etched label at the bottom.
6. Peel back protective liner from glass 3" on each corner on up facing side of glass and position screw hole side of frame in place.
7. Start all screws by hand and tighten screws so that minimal contact is made between frame and glazing tape.
8. Peel all liners off of glazing tape and hand tighten all screws until snug, using a cross-hatch pattern making sure that contact has been made between the tape and the glass.