



TECHNICAL DATA

FROM

Anemostat

Door Products

4958 Stout Dr. #119, San Antonio, TX 78219
 PH: 210.662.6300 • FAX: 210.662.2828

e-mail: door@anemostat.com • website: www.anemostat.com

LoPro™ -STC

LO-PROFILE STC RATED
 METAL VISION FRAME ASSEMBLY

FIRE RATINGS WHERE APPLICABLE



UNDERWRITERS'
 LABORATORIES



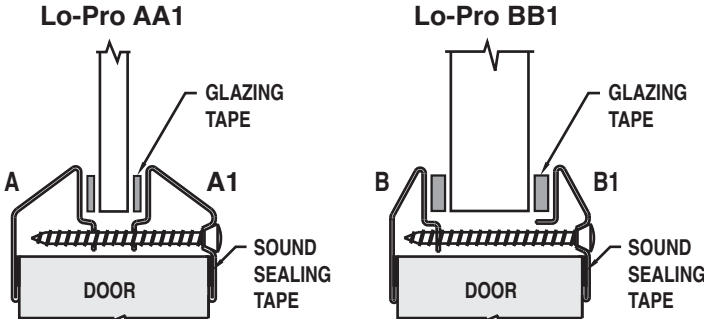
Intertek
 WARNOCK
 HERSEY



Sound
 Transmission
 Class

DETAIL DRAWING

PLEASE NOTE: LoPro-STC must be purchased as a complete assembly (LoPro Vision Panel, Glass and Glazing Tape) in order to conform with STC Testing achieved.



FIRE / SAFETY RATED

- 1/4" (6mm) SAFE-Wire
- 3/16" (5mm) FireLite NT
- 5/16" (8mm) FireLite Plus

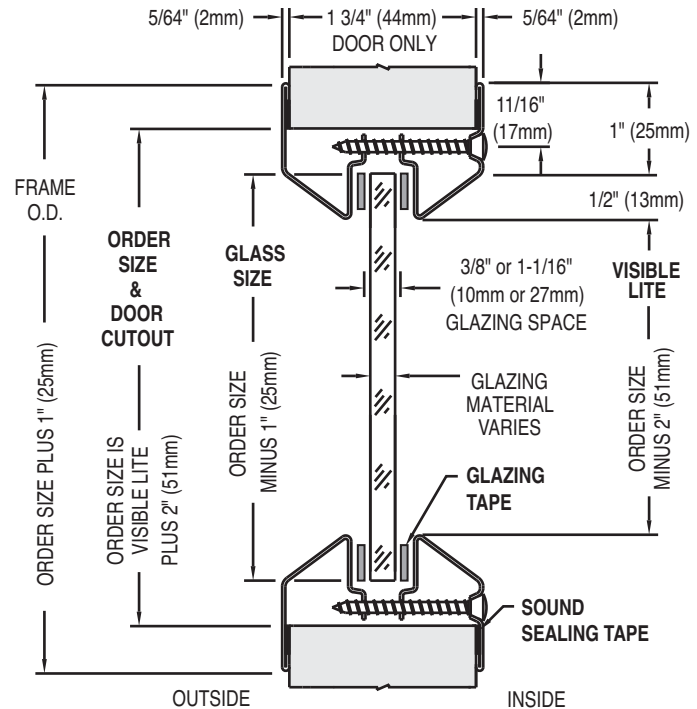
FIRE / SAFETY RATED

- 1" (25mm) FireLite Plus IGU
- 7/8" (23mm) Pyrostop 60-101

SAFETY RATED ONLY

- 1" (25mm) Laminated IGU
- 1" (25mm) Tempered IGU

Anemostat manufacturing dimensions ±1/32
 Actual dimensions are nominal and may vary
 based on component manufacturers tolerances.



STANDARD PRODUCT FEATURES

- MATERIAL:** 20 GA. (1mm) Cold Rolled Steel.
- FINISH:** Grey Primer, Beige or Bronze Baked Enamel.
CAUTION: Sound Sealing Tape should not be exposed to a heat treating process from post factory applied finishes, such as powder coating.
- INSTALLATION:** Our most popular product is easy to install and provides a low profile, flush to the door look. Uses 1 3/4" (44mm) sheet metal screws that pass through the door cutout, and fastens to the opposite side of the vision frame. Vision frame comes with sound sealing tape applied to the underside perimeter of both frame sides.
- DOOR THICKNESS:** For 1 3/4" (44mm) Wood or Metal Doors.
- GLAZING:** Glass is supplied with GT Glazing Tape for both sides
- AESTHETICS:** Tight mitered corners, beveled glass stop and low profile, provide a clean tapered look.
- IMPORTANT:** Interpretation of building and fire codes may vary. Consult with the local authority having jurisdiction in your area, to determine appropriate standards.
- NOTE:** For Exterior use, High Humidity or Salt Air application, product must be Galvanized or Stainless Steel.

OPTIONAL FEATURES

- MATERIAL:** #304 or #316 Stainless Steel, #4 Finish (Satin), Galvanized (Coil, or Zinc Plated).
- FINISH:** Custom Baked Enamel Colors (as per sample chip supplied). Plated Finishes to match the lock, hinges and closer.
- FASTENERS:** Special Security Screw Fasteners, See Page 36, this section.
- SPECIALS:** Fractional Sizes
- HM CLIP:** Replaces the need for reinforcing channel in the door cutout, see page 37 this section.

FIRE RATINGS (w/ U.L. classification markings) Positive Pressure

- See appropriate Glazing Product Tech Data page

SOUND RATINGS

- LoPro-STC with 1/4" (6mm) SAFE-Wire:* STC - 38
- LoPro-STC with 3/16" (5mm) FireLite NT:* STC - 35
- LoPro-STC with 5/16" (8mm) FireLite Plus:* STC - 38
- LoPro-STC with 1" (25mm) FireLite Plus IGU:* STC - 42
- LoPro-STC with 7/8" (23mm) Pyrostop 60-101 23mm:* STC - 41
- LoPro-STC with 1" (25mm) Laminated IGU: STC - 42 (Safety Rated Only)
- LoPro-STC with 1" (25mm) Tempered IGU: STC - 35 (Safety Rated Only)

TESTED SIZE: 24" X 36" (610 X 914mm) CUTOUT / ASSEMBLY
TESTED IN ACCORDANCE WITH: ASTM E90-09 and ASTM E2235-04.
 STC measurements determined in accordance with ASTM E413-04.
 Testing conducted at Western Electro - Acoustic Laboratory, Santa Clarita, CA.

* Fire Rated - see Glazing Section for ratings and maximum allowable sizes

Job Name & Location	Submitted by