

*Anemostat
Introduces*

The

LoPro

Low Profile

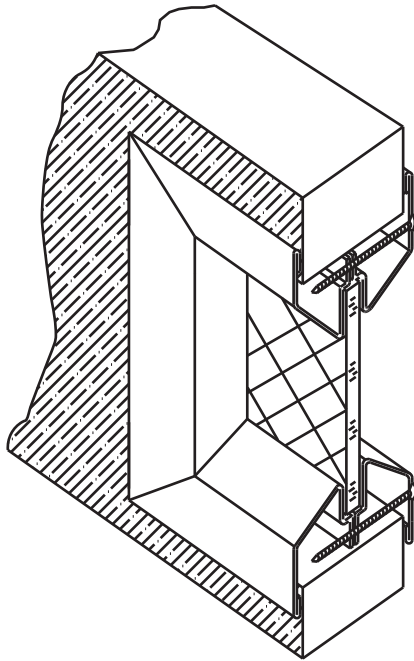
Metal Vision Frame



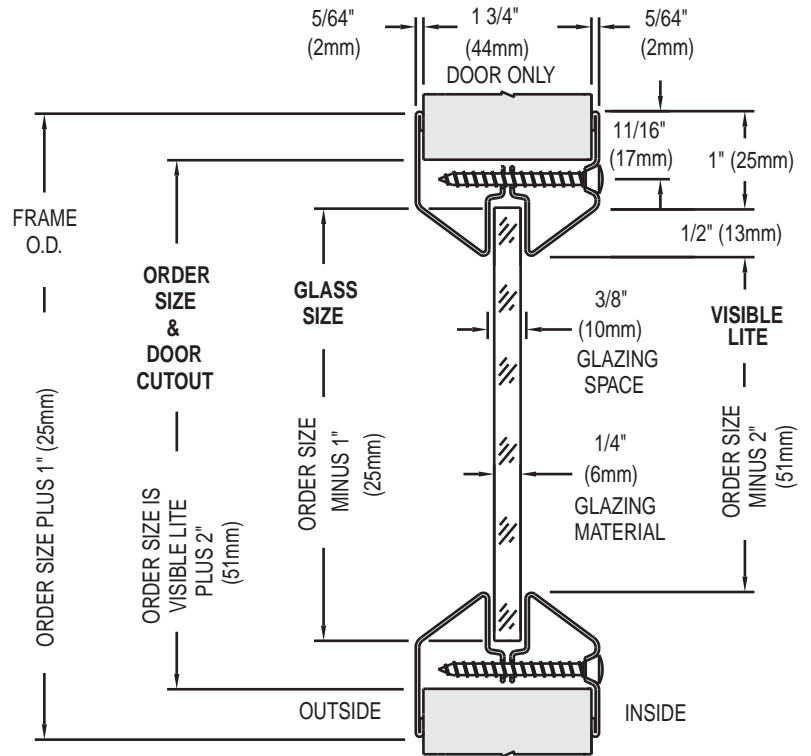
Anemostat
Vision Frames • Door Louvers
Glazing Products

At Last, the Low Profile Metal Vision Frame that Fits "Flush to the Door"

LoPro



Anemostat manufacturing dimensions $\pm 1/32$
Actual dimensions are nominal and may vary
based on component manufacturers tolerances.



- **MATERIAL:** 20 GA. Cold Rolled Steel
- **FINISH:** Gray Primer, Beige or Bronze Baked Enamel are standard, but special order baked enamel colors or plated finishes are available.
- **INSTALLATION:** Our newest product is easy to install and provides a low profile, flush to the door look. Uses 1-3/4" sheet metal screws that pass through the door cutout, and fastens to the opposite side of the vision frame, thus eliminating the need to drill the door for thru bolts and saving installation time and labor. It also leaves the corridor side of the frame free of fasteners for added security and a cleaner, more aesthetic appearance.
- **DOOR THICKNESS:** For 1-3/4" Wood or Metal doors.
- **GLASS:** Should be 1/4" or 3/16" fire rated with U.L. and/or W.H.I. classification markings. Glazing space of 1/8" allows for glazing tape or compound to be used on one or both sides of the glass.
- **AESTHETICS:** Tight mitered corners, beveled glass stop and low profile, provide a clean tapered look.

- **OPTIONAL FEATURES:** Include #304 Stainless Steel, #4 Finish (Satin) and Galvanized (Sheet, Hot Dipped or Zinc Plated).
- Security screws are available.
- For special glass or door thickness (**LoPro-IS**) or for French door grilles (**LoPro-G**)
- **FIRE RATINGS:** 20 minutes at 2994 sq. in.
20/45/60*/90* minutes at 1296 sq. in.
60/90/180* minutes at 100 sq. in.

*Must be used with Firelite and Fire Listed glazing tape or compound and be used in an appropriately tested door assembly.

NOTE: For Exterior use, High Humidity or Salt Air Application, product must be Galvanized or Stainless Steel.

IMPORTANT: Interpretation of building and fire codes may vary. Consult with the local authority having jurisdiction to determine appropriate standards in your area.

LoPro-IS
For Special Glass or
Door Thickness


Anemostat
DOOR PRODUCTS
A MESTEK COMPANY

LoPro-G
with French Door
Grilles