

TECHNICAL DATA

FROM

Anemostat

Door Products

4958 Stout Dr. #119, San Antonio, TX 78219
 PH: 210.662.6300 • FAX: 210.662.2828

e-mail: door@anemostat.com • website: www.anemostat.com

StormPro-HR™

LO-PROFILE HURRICANE RATED
 METAL VISION FRAME ASSEMBLY

HURRICANE RATED



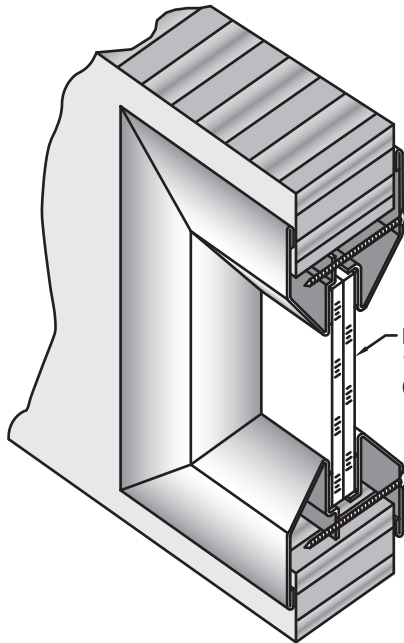
UNDERWRITERS'
 LABORATORIES
 FILE #R26087



Florida Building Code
 Hurricane Approval
 FILE #FL11736

NOT FIRE RATED

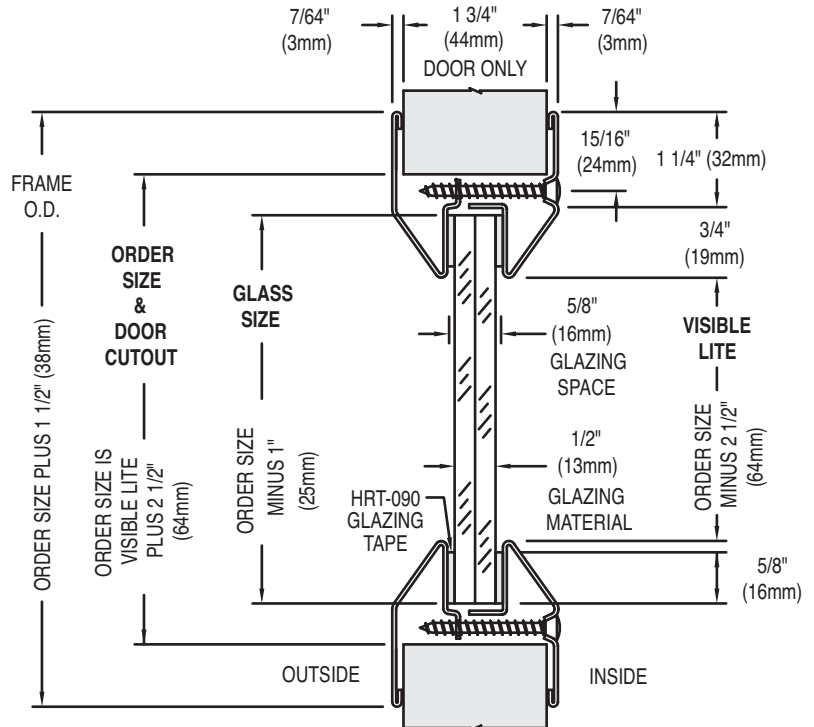
DETAIL DRAWING



ASSEMBLY INCLUDES:
 VISION FRAME,
 GLAZING TAPE,
 GLASS AND FASTENERS

HURRICANE GLASS
 1/2" (13mm) LAMINATED
 GLASS (INCLUDED)

Anemostat manufacturing dimensions ±1/32
 Actual dimensions are nominal and may vary
 based on component manufacturers tolerances.



STANDARD PRODUCT FEATURES

- MATERIAL:** 18 GA. (1.25mm) Galvanized Steel, 1/2" (13mm) clear glass and VHB glazing tape.
- FINISH:** Grey Primer, Beige, or Bronze Baked Enamel.
- INSTALLATION:** The StormPro™-HR is easy to install and provides a low profile, flush to the door look. Uses 1-3/4" (44mm) sheet metal screws that pass through the door cutout, and fastens to the opposite side of the vision frame.
5/8 (16mm) x .090 (2.3mm) thick conformable 3M VHB glazing tape is supplied and installed on both sides of the glass.
- DOOR THICKNESS:** For 1-3/4" (44mm) Hurricane Approved Metal doors
- GLAZING:** Glass is comprised of 2 pieces of 3/16" (5mm) clear annealed with a .120 Uvekol™ "S" clear laminate. Overall glass thickness is 1/2" (13mm).
- AESTHETICS:** Tight mitered corners, beveled glass stop and low profile, provide a clean tapered look.
- MAXIMUM SIZE:** 36" (914mm) wide x 72" (1829mm) tall cutout
visible lite 33-1/2" x 69-1/2" (851 x 1765mm)
- NOTE:** For exterior use, high humidity or salt air application, product must be galvanized or stainless steel.

OPTIONAL FEATURES

- MATERIAL:** #304 Stainless Steel, #4 Finish(Satin), Hot Dipped, or Zinc Plated.
- FINISH:** Special Order Baked Enamel Colors (as per sample chip supplied). Plated Finishes to match the lock, hinges and closer.
- FASTENERS:** Special Security Screw Fasteners, See Page 36, this section.
- SPECIALS:** Fractional Sizes

FIRE RATINGS

- StormPro-HR™ is not fire rated**

HURRICANE TEST / WINDSTORM APPROVALS (w/ U.L. marking)

- Successfully tested in accordance with ASTM E1886, E1996 and E330 and ANSI 250.13-Impact 350 FT LBS. (large missile test) Design Pressure: +/- 70 PSF.
- Complies with Florida Building Code Standards
- IMPORTANT:** Interpretation of building and fire codes may vary. Consult with the local authority having jurisdiction in your area, to determine appropriate Standards.
- ATTENTION:** Must be used in an appropriately tested and hurricane rated door assembly.

Job Name & Location	Submitted by