



TECHNICAL DATA
FROM
Anemostat
Door Products

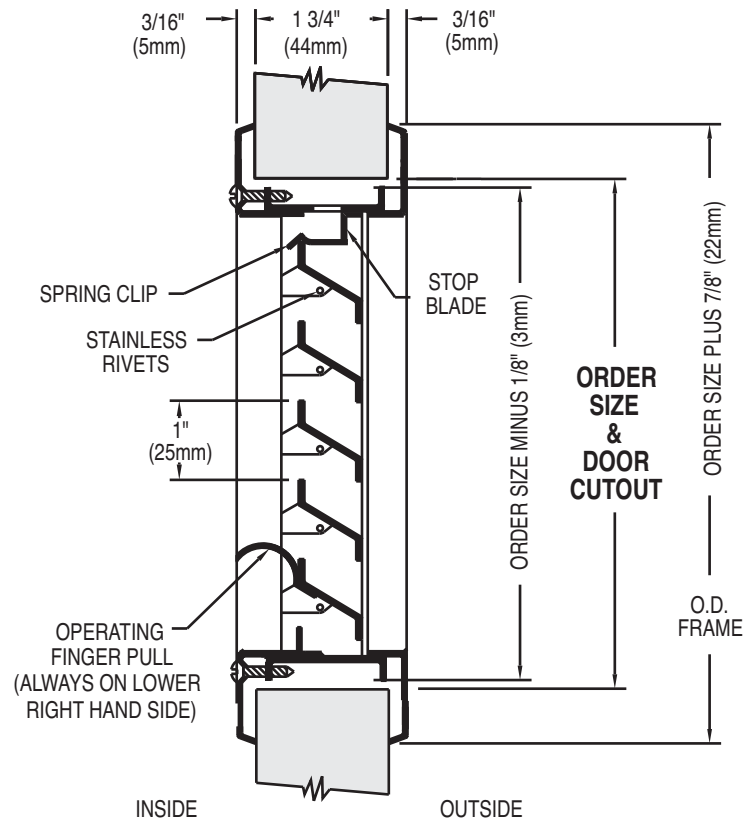
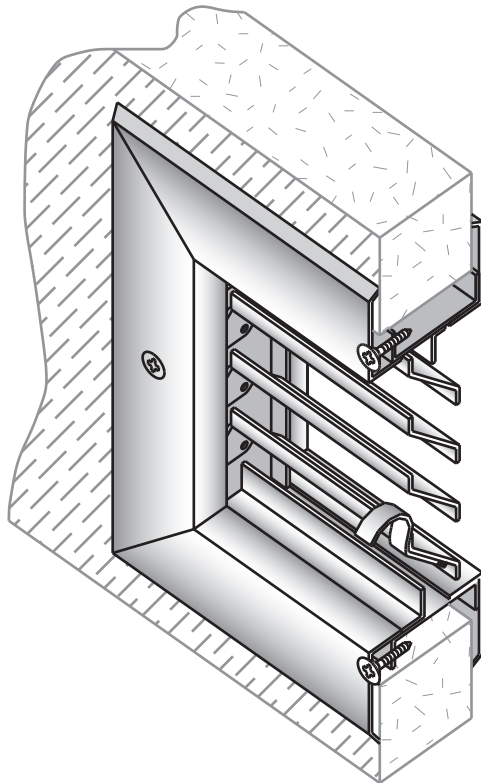
4958 Stout Dr. #119, San Antonio, TX 78219
PH: 210.662.6300 • FAX: 210.662.2828

e-mail: door@anemostat.com • website: www.anemostat.com

ADL
"Z" BLADE
OPERATING LOUVER

NOT FIRE RATED

DETAIL DRAWING



STANDARD PRODUCT FEATURES

- **MATERIAL:** 18 GA. Cold Rolled Steel Frame and Louver Blades, 16 GA. inner support members.
- **FINISH:** Grey Primer, Beige or Bronze Baked Enamel.
- **INSTALLATION:** Self attaching using #8 x 1" phillips head screws that fasten the auxiliary frame to the louver core, thru the cutout in the door. The corridor side of the frame is free of fasteners for added security.
- **DOOR THICKNESS:** For 1 3/4" Door (available for 1 3/8" Doors).
- **AESTHETICS:** Tight mitered corners and countersunk mounting holes make for a clean appearance.
- **USES:** Where an operating louver without a fire rating is required.
- **FREE AIR FLOW:** 40% Free Area.
- **MAX. 1 PIECE CONSTRUCTION:** 32" w x 36" h. Larger sizes constructed of 2 or more ADL units mulled or stacked
- **NOTE:** For Exterior use, High Humidity or Salt Air application, product must be Galvanized or Stainless Steel.

OPTIONAL FEATURES

- **MATERIAL:** #304 or #316 Stainless Steel, #4 Finish (Satin), Galvanized (Coil or Zinc Plated). Not available in Hot Dipped or Aluminum.
- **FINISH:** Custom Baked Enamel Colors (as per sample chip supplied by customer).
- **FASTENERS:** Special Security Screw Fasteners, See Page 14, this section.
- **SPECIALS:** Fractional sizes not available.
18-14 mesh insert screens, framed or attached. (Galvanized, Aluminum, Charcoal Aluminum, Stainless Steel). For detail drawings see pages 12 and 13, this section.

FIRE RATINGS

- **ADL is not fire rated.**

Job Name & Location	Submitted by