

TECHNICAL DATA

FROM

Anemostat

Door Products

4958 Stout Dr. #119, San Antonio, TX 78219
 PH: 210.662.6300 • FAX: 210.662.2828

e-mail: door@anemostat.com • website: www.anemostat.com

AFDL-W

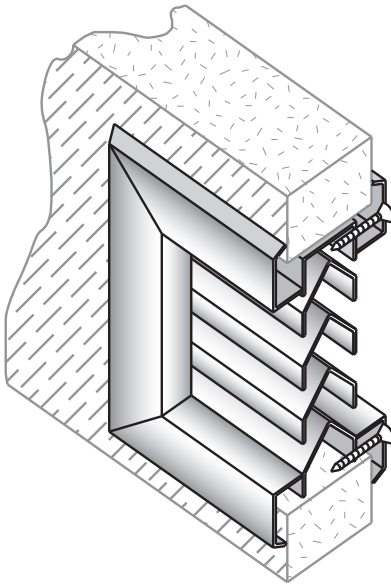
45 mm to 55 mm
 (1-3/4" to 2-1/8")

EXPANDABLE

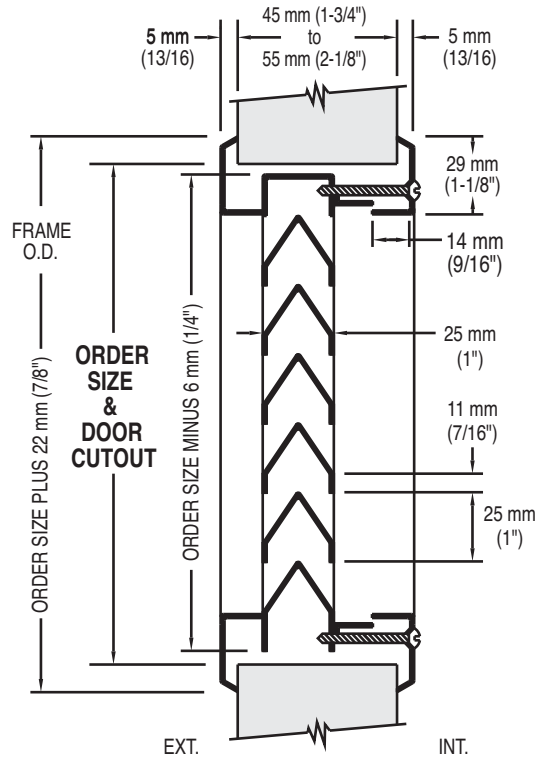
INVERTED Y
 NON-VISION LOUVRE

NOT FIRE RATED

DETAIL DRAWING



Anemostat manufacturing dimensions ±0.8mm
 Actual dimensions are nominal and may vary based on component manufacturers tolerances.



STANDARD PRODUCT FEATURES

- **MATERIAL:** 1.2 mm (18 GA) Galvanised Steel - Frame.
 .75 mm (22 GA) Galvanised Steel - Louver Blades.
- **FINISH:** RAL 9006 Silver Baked Enamel, Gray Primer, Beige or Bronze Baked Enamel
- **INSTALLATION:** Our top selling louver is preferred because of its ease of installation. Use #8 x 25mm (1") or 38mm (1-1/2") phillips screw that fastens auxiliary frame to the louver core, thru the cutout in the door, thus eliminating the need to drill holes in the door. This method saves time and installation labor and leaves the corridor side of the frame free of fasteners for added security, and a cleaner aesthetic appearance.
- **DOOR THICKNESS:** Expandable from 45 mm (1-3/4") to 55 mm (2-1/8") Metal or Wood Doors
- **AESTHETICS:** Tight mitered corners, no visible welds, countersunk mounting holes and corridor side of frame free of fasteners make for a clean, streamlined appearance
- **USES:** Anywhere air flow is required thru a door.
- **FREE AIR FLOW:** 50% Free Area.

OPTIONAL FEATURES

- **MATERIAL:** #304 or #316 Stainless Steel, #4 Finish (Satin), Galvanised (Hot Dipped or Zinc Plated), Mill Finish or Anodized Aluminum (#5052 Alloy), 16 gauge Cold Rolled Steel or Stainless Steel.
- **FINISH:** Custom Baked Enamel Colors (as per sample paint chip, supplied by customer).
- **FASTENERS:** Special Security Screw Fasteners
- **SPECIALS:** Odd sizes (frame dimension is increased to accommodate odd size). Height dimension must be in even inches, 1" (25.4mm). Mesh insect screens are loose, attached or framed. (Galvanized, Aluminum, Charcoal Aluminum, Stainless Steel.)

FIRE RATINGS

- **AFDL-W is not fire rated.**
- **NOTE:** For Exterior use, High Humidity or Salt Air application, product must be Galvanized or Stainless Steel.

Job Name & Location	Submitted by