

# TECHNICAL DATA

FROM

# Anemostat

## Door Products

4958 Stout Dr. #119, San Antonio, TX 78219  
 PH: 210.662.6300 • FAX: 210.662.2828

e-mail: [door@anemostat.com](mailto:door@anemostat.com) • website: [www.anemostat.com](http://www.anemostat.com)

# BFL-123-G

FRENCH DOOR  
 METAL VISION FRAME



UNDERWRITERS'  
 LABORATORIES

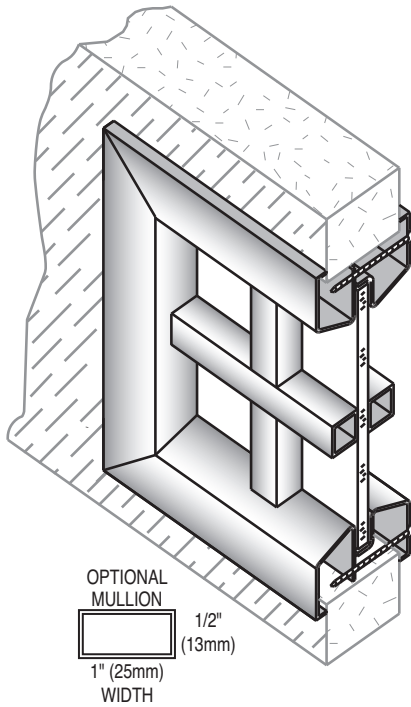
FIRE  
 RATINGS



WARNOCK  
 HERSEY

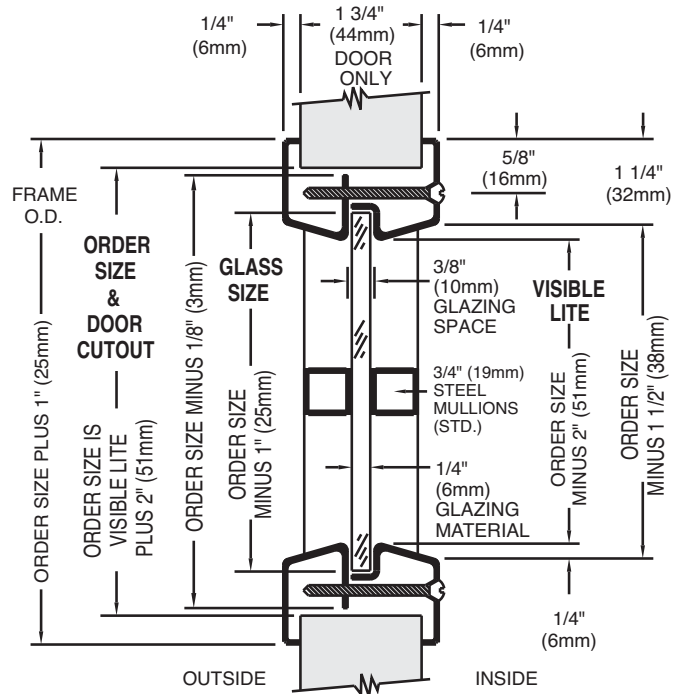
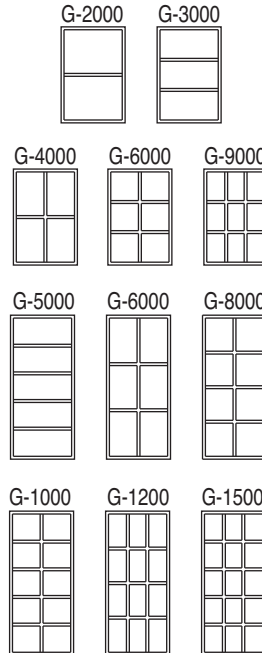
**B.S.-476.22**  
 British Standard

### DETAIL DRAWING



### STANDARD GRILLE DESIGNS

CUSTOM DESIGNS AVAILABLE, SEE PAGE 10 THIS SECTION



( Also Available using  
 LoPro & FGS-75 profiles, see  
 pages 8 & 11 this section )

Anemostat manufacturing dimensions  $\pm 1/32$   
 Actual dimensions are nominal and may vary  
 based on component manufacturers tolerances.

### STANDARD PRODUCT FEATURES

- MATERIAL:** 18 GA. (1.25mm) Cold Rolled Steel.  
 Mullions - are 3/4" x 3/4" (19 x 19mm) steel tube material fully welded to the frame and to all intersecting points of the mullion design, and ground smooth.
- FINISH:** Grey Primer, Beige or Bronze Baked Enamel.
- INSTALLATION:** Uses 1 3/4" (44mm) sheet metal screws that pass through the door cutout, and fastens the opposite side of the vision frame, thus eliminating the need to drill the door for thru bolts and saving installation time and labor. It also leaves the corridor side of the frame free of fasteners for added security and a cleaner, more aesthetic appearance.
- DOOR THICKNESS:** For 1 3/4" (44mm) Wood or Metal Doors.
- GLAZING:** Should be 1/4" (6mm) or 3/16" (5mm) fire and/or safety rated with U.L. and/or W.H.I. classification markings. Glazing space of 3/8" (10mm) allows for glazing tape to be used on both sides of the glass.
- IMPORTANT:** Interpretation of building and fire codes may vary.  
 Consult with the local authority having jurisdiction in your area, to determine appropriate standards.
- NOTE:** For Exterior use, High Humidity or Salt Air application, product must be Galvanized.
- PLEASE NOTE:** On visible lite sizes larger than 1296 sq. in. on 20/45 min. and 100 sq. in. on 60/90/180 min., please consult with your Door / Frame Manufacturer's procedures, for their maximum glass size tested.

### OPTIONAL FEATURES

- MATERIAL:** Galvanized (Hot Dipped or Zinc Plated).  
 Mullions available in 1/2"x1/2" (13 x 13mm) , 5/8"x5/8" (16 x 16mm) or 1/2"x1" (13 x 25mm) steel tubing. Other tubing sizes available, consult factory.
- FINISH:** Custom Baked Enamel Colors (as per sample chip supplied).  
 Plated Finishes to match the lock, hinges and closer.
- FASTENERS:** Special Security Screw Fasteners, see page 36.
- SPECIALS:** Choose from grille patterns as shown or create your own.

### FIRE RATINGS (w/ U.L. & W.H.I. classification markings) Positive Pressure

- 20 MINUTE:**\* Approved listing at 3204 sq. in. (2.067 m<sup>2</sup>) visible lite.  
 max. w 36" (914mm), max. h 89" (2261mm).
- 45/60 MINUTE:**\* Approved listing at 2772 sq. in. (1.788 m<sup>2</sup>) visible lite.  
 max. w 36" (914mm), max. h 77" (1956mm).
- 90 MINUTE:**\* Approved listing at 1296 sq. in. (0.836 m<sup>2</sup>) visible lite.  
 max. w 36" (914mm), max. h 54" (1372mm).
- 3 HOUR:**\* Approved listing at 100 sq. in. (0.065 m<sup>2</sup>) visible lite.  
 max. w 12" (305mm), max. h 33" (838mm).

\*Must be used with FIRELITE Plus or NT and Fire listed glazing tape or another manufacturer's equivalent product. Glazing combination must be used in appropriately tested door assembly.

**BS 476.22** Timber Doors - 30 min. and 1 hour.  
 British Standard Steel Doors - 2 hours (4 hours actual).

Job Name & Location	Submitted by