



# TECHNICAL DATA

FROM

# Anemostat

## Door Products

4958 Stout Dr. #119, San Antonio, TX 78219  
 PH: 210.662.6300 • FAX: 210.662.2828

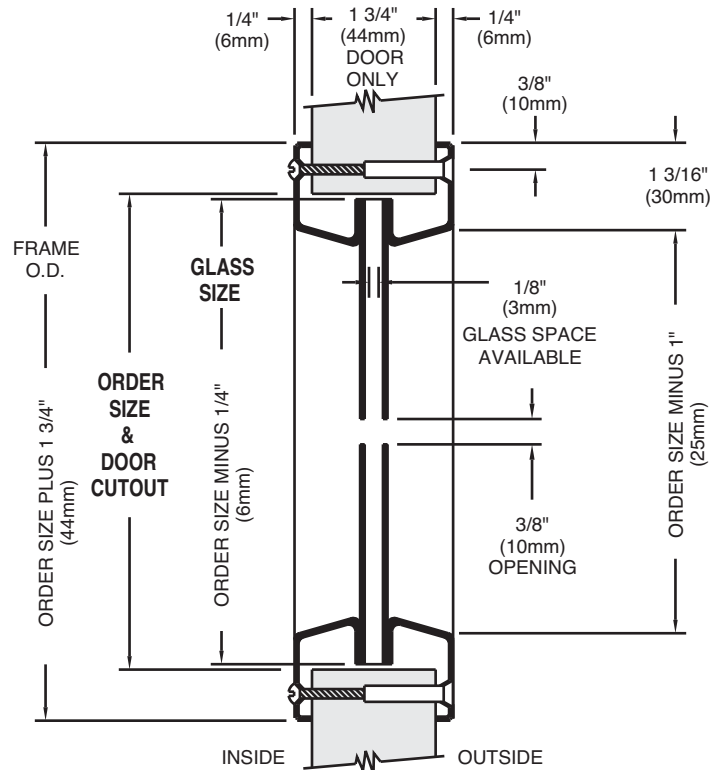
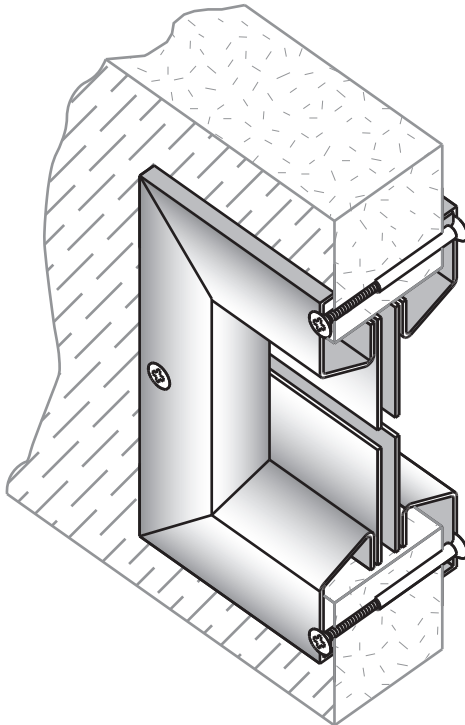
e-mail: [door@anemostat.com](mailto:door@anemostat.com) • website: [www.anemostat.com](http://www.anemostat.com)

# BFL-75-PO

POST OFFICE OBSERVATION  
 METAL  
 VISION FRAME

NOT FIRE RATED

### DETAIL DRAWING



12 X 6 IS STANDARD ORDER SIZE  
 OTHER SIZES AVAILABLE, CONSULT FACTORY

Anemostat manufacturing dimensions  $\pm 1/32$   
 Actual dimensions are nominal and may vary  
 based on component manufacturers tolerances.

#### STANDARD PRODUCT FEATURES

- **MATERIAL:** 18 GA. (1.25mm) Cold Rolled Steel.
- **FINISH:** Grey Primer, Beige or Bronze Baked Enamel.
- **INSTALLATION:** By drilling 1/4" (6mm) holes thru the door, around the perimeter of the door cutout. Frame has countersunk mounting holes for #8x32 phillips head steel thru bolts with a blank head on one side for flush appearance.
- **DOOR THICKNESS:** For 1 3/4" (44mm) Wood or Metal Doors.
- **GLAZING SPACE:** Space allows for 1/8" (3mm) thick glazing material. Can also be used without Glazing Material. For a thicker glazing space, consult factory about FGS-IS-PO.
- **AESTHETICS:** Tight mitered corners, beveled glass stop for a clean tapered look.
- **NOTE:** For Exterior use, High Humidity or Salt Air application, product must be Galvanized or Stainless Steel.

#### OPTIONAL FEATURES

- **MATERIAL:** #304 or #316 Stainless Steel, #4 Finish (Satin), Galvanized (Coil, Hot Dipped, or Zinc Plated).
- **FINISH:** Custom Baked Enamel Colors (as per sample chip supplied). Plated Finishes to match the lock, hinges and closer.
- **FASTENERS:** Special Security Screw Fasteners, See Page 36, this section.
- **SPECIALS:** Fractional Sizes, Glass or Door thickness (consult factory for FGS-IS-PO).

#### FIRE RATINGS

- BFL-75-PO is not fire rated.

• **IMPORTANT:** Interpretation of building and fire codes may vary. Consult with the local authority having jurisdiction in your area, to determine appropriate standards.

Job Name & Location	Submitted by