



TECHNICAL DATA

FROM

Anemostat

Door Products

4958 Stout Dr. #119, San Antonio, TX 78219
 PH: 210.662.6300 • FAX: 210.662.2828

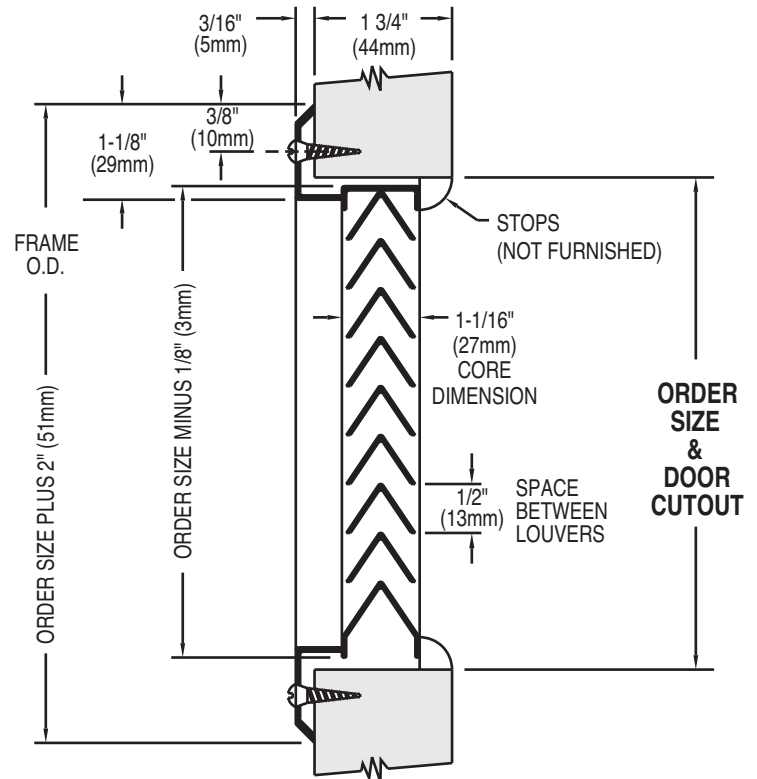
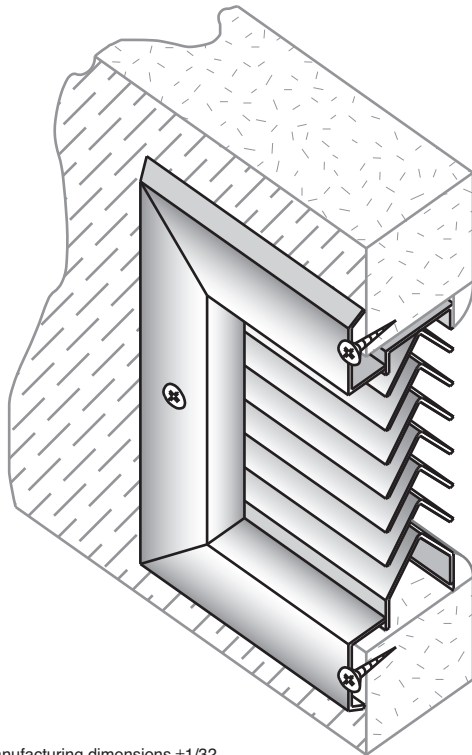
e-mail: door@anemostat.com • website: www.anemostat.com

CHDL-1F

INVERTED V
 NON-VISION LOUVER
 LOUVER CORE WITH
 FRAME ONE SIDE

NOT FIRE RATED

DETAIL DRAWING



Anemostat manufacturing dimensions $\pm 1/32$
 Actual dimensions are nominal and may vary
 based on component manufacturers tolerances.

STANDARD PRODUCT FEATURES

- **MATERIAL:** 18 GA. Cold Rolled Steel - Frame.
22 GA. Cold Rolled Steel - Louver Blades.
- **FINISH:** Grey Primer, Beige or Bronze Baked Enamel.
- **INSTALLATION:** Installs into door or frame using #8x3/4" sheet metal or wood screws directly into the door or frame on one side. The Louver core side requires use of wood or metal stop.
- **DOOR or FRAME THICKNESS:** Minimum Louver core and one side frame dimension is 1 9/16".
- **USES:** Where there is an application requiring a minimal clearance on one side of Louver core and need attaching flange (frame).
- **FREE AIR FLOW:** 60% Free Area.
- **NOTE:** For Exterior use, High Humidity or Salt Air application, product must be Galvanized or Stainless Steel.

OPTIONAL FEATURES

- **MATERIAL:** #304 or #316 Stainless Steel, #4 Finish (Satin), Galvanized (Coil Hot Dipped or Zinc Plated), Mill Finish or Anodized Aluminum (#5052 Alloy)
- **FINISH:** Custom Baked Enamel Colors (as per sample chip, supplied by customer).
- **FASTENERS:** Special Security Screw Fasteners, See Page 14, this section.
- **SPECIALS:** Fractional sizes (frame dimension is increased to accommodate odd size).
Mesh insect screens, loose or attached. (Galvanized, Aluminum, Charcoal Aluminum, Stainless Steel.)
For detail drawings see page 12 & 13, this section.
- **DOOR THICKNESS:** 1 3/8" is available by special order.

FIRE RATINGS

- **CHDL-1F is not fire rated.**

Job Name & Location	Submitted by