

TECHNICAL DATA
FROM
Anemostat
Door Products

4958 Stout Dr. #119, San Antonio, TX 78219
PH: 210.662.6300 • FAX: 210.662.2828

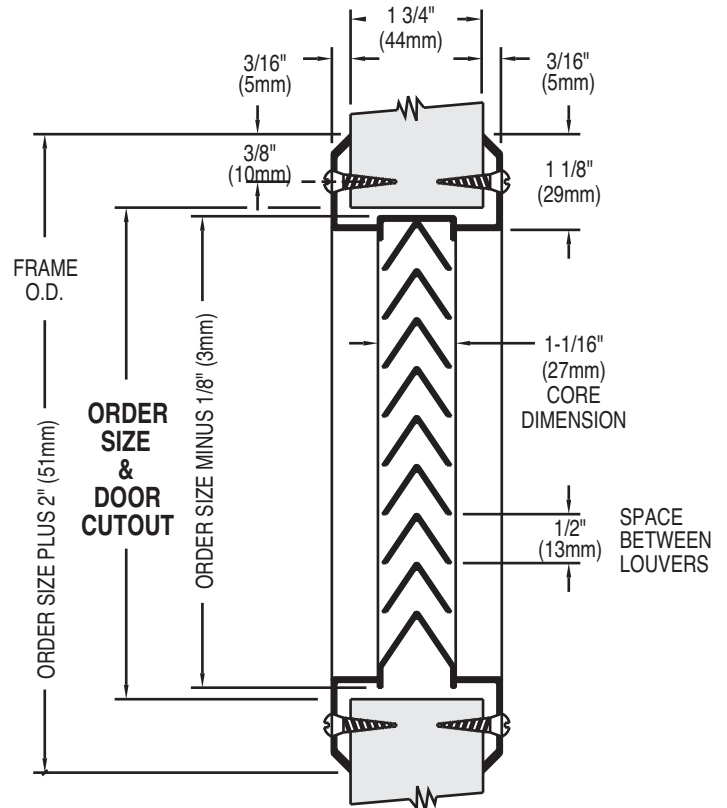
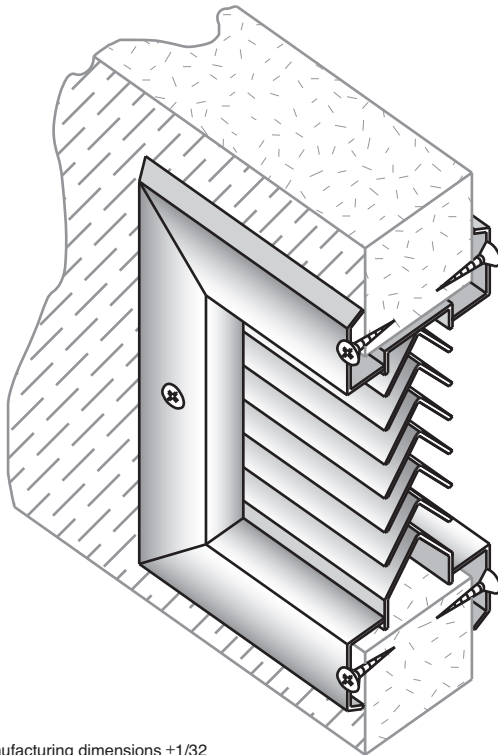
e-mail: door@anemostat.com • website: www.anemostat.com

CHDL-2F

INVERTED V
NON-VISION LOUVER
LOUVER CORE WITH
FRAME TWO SIDES

NOT FIRE RATED

DETAIL DRAWING



Anemostat manufacturing dimensions $\pm 1/32$
Actual dimensions are nominal and may vary
based on component manufacturers tolerances.

STANDARD PRODUCT FEATURES

- MATERIAL:** 18 GA. Cold Rolled Steel - Frame.
22 GA. Cold Rolled Steel - Louver Blades.
- FINISH:** Grey Primer, Beige or Bronze Baked Enamel.
- INSTALLATION:** Fastens to door by means of #8x3/4" sheet metal or wood screws, directly into the door thru countersunk mounting holes.
- DOOR THICKNESS:** For 1 3/4" Door (1 3/8" is available)
- AESTHETICS:** Tight mitered corners, no visible welds make for a clean, sharp look.
- USES:** Where 1/2" louver spacing is preferred.
- FREE AIR FLOW:** 60% Free Area.

- NOTE:** For Exterior use, High Humidity or Salt Air application, product must be Galvanized or Stainless Steel.

OPTIONAL FEATURES

- MATERIAL:** #304 or #316 Stainless Steel, #4 Finish (Satin), Galvanized (Coil Hot Dipped or Zinc Plated), Mill Finish or Anodized Aluminum (#5052 Alloy)
- FINISH:** Custom Baked Enamel Colors (as per sample chip, supplied by customer).
- FASTENERS:** Special Security Screw Fasteners, See Page 14, this section.
- SPECIALS:** Fractional sizes (frame dimension is increased to accommodate odd size).
Mesh insect screens, loose or attached. (Galvanized, Aluminum, Charcoal Aluminum, Stainless Steel.)
For detail drawings see page 12 & 13, this section.
- DOOR THICKNESS:** For 1 3/8" is available by special order.

FIRE RATINGS

- CHDL-2F is not fire rated.

Job Name & Location	Submitted by