



# TECHNICAL DATA

FROM

# Anemostat

## Door Products

4958 Stout Dr. #119, San Antonio, TX 78219  
 PH: 210.662.6300 • FAX: 210.662.2828

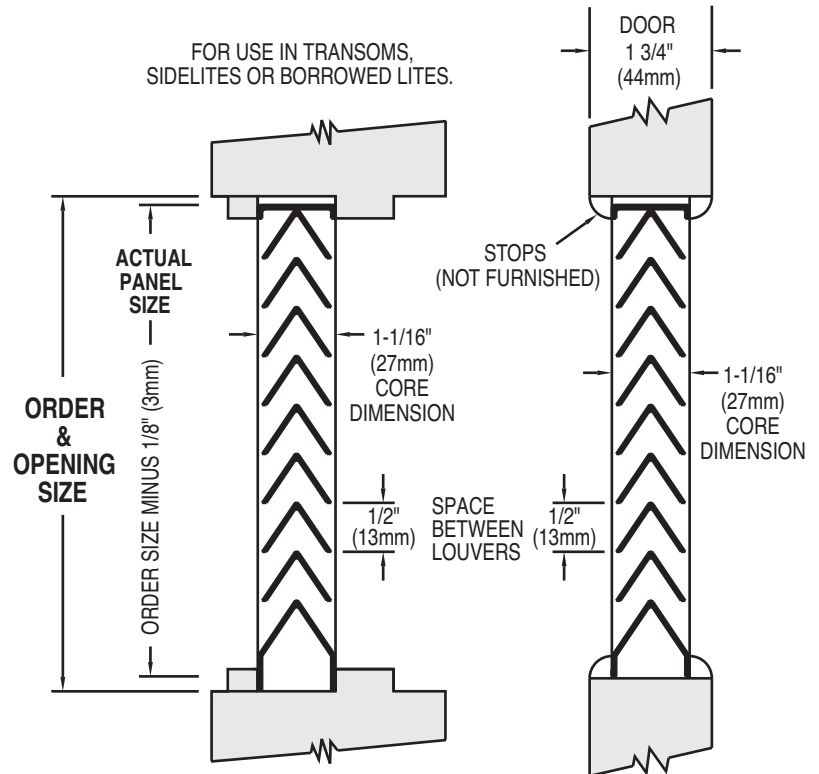
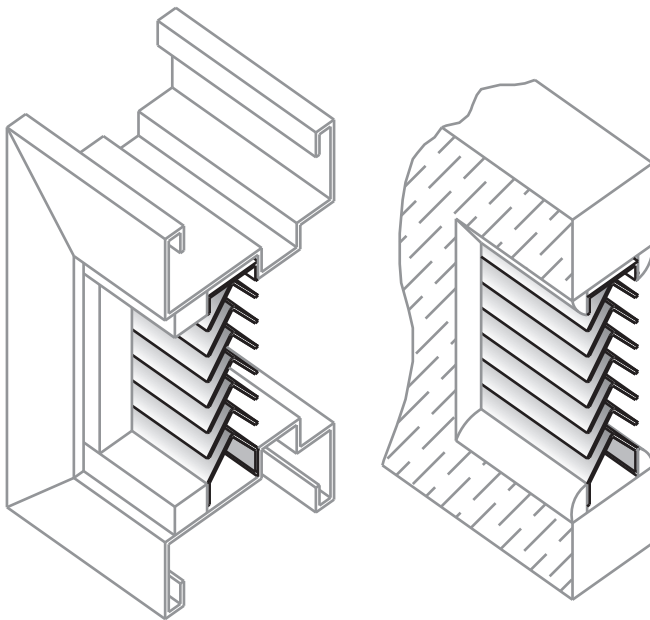
e-mail: [door@anemostat.com](mailto:door@anemostat.com) • website: [www.anemostat.com](http://www.anemostat.com)

## CHDL

INVERTED V  
 NON-VISION LOUVER  
 LOUVER CORE ONLY

NOT FIRE RATED

### DETAIL DRAWING



Anemostat manufacturing dimensions  $\pm 1/32$   
 Actual dimensions are nominal and may vary  
 based on component manufacturers tolerances.

#### STANDARD PRODUCT FEATURES

- **MATERIAL:** 22 GA. Cold Rolled Steel Louver Blades.
- **FINISH:** Grey Primer, Beige or Bronze Baked Enamel.
- **INSTALLATION:** Installs into door or frame rabbet using wood or metal stops on one or both sides of Louver core.
- **DOOR or FRAME THICKNESS:** Since Louver core has a 1-1/16" width, the minimum door or frame width would be 1-1/16" , plus stops on both sides to hold louver in place.
- **USES:** Ideal for use in transoms, side lites or as a flush mounted louver in wood doors with 3/8" wide stop both sides.
- **FREE AIR FLOW:** 60% Free Area.
- **NOTE:** For Exterior use, High Humidity or Salt Air application, product must be Galvanized or Stainless Steel.

#### OPTIONAL FEATURES

- **MATERIAL:** #304 or #316 Stainless Steel, #4 Finish (Satin), Galvanized (Coil Hot Dipped or Zinc Plated), Mill Finish or Anodized Aluminum (#5052 Alloy)
- **FINISH:** Custom Baked Enamel Colors (as per sample chip, supplied by customer).
- **SPECIALS:** Fractional Widths only.  
 Mesh insect screens, loose or attached. (Galvanized, Aluminum, Charcoal Aluminum, Stainless Steel.)  
 For detail drawings see page 12 & 13, this section.

#### FIRE RATINGS

- **CHDL is not fire rated.**

Job Name & Location	Submitted by