

TECHNICAL DATA

FROM

Anemostat

Door Products

4958 Stout Dr. #119, San Antonio, TX 78219
 PH: 210.662.6300 • FAX: 210.662.2828

e-mail: door@anemostat.com • website: www.anemostat.com

FGS-75-SC

METAL VISION FRAME
 WITH
 OPERATING
 SECURITY COVER



UNDERWRITERS'
 LABORATORIES

FIRE
 RATINGS

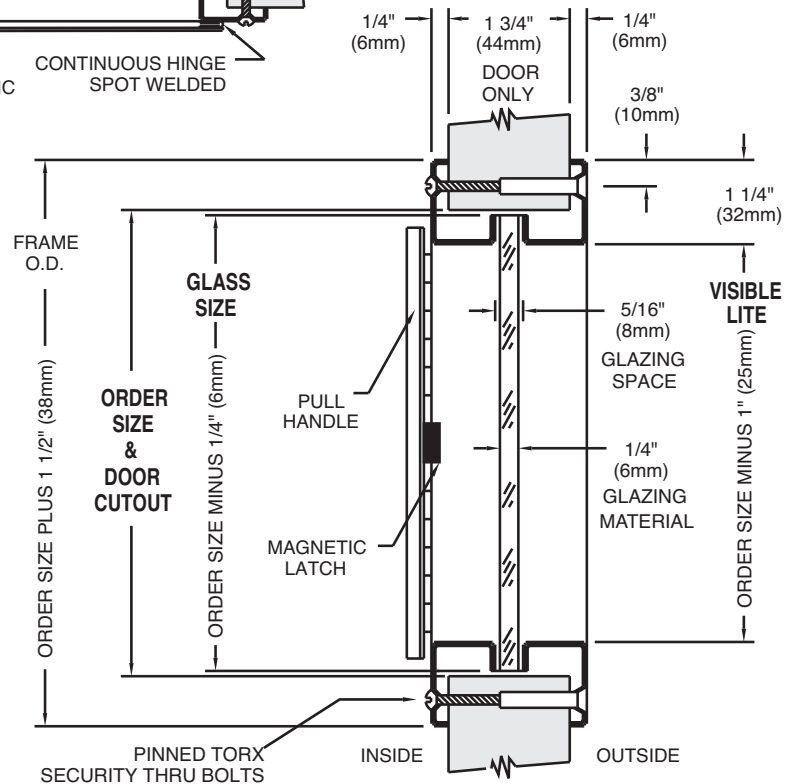
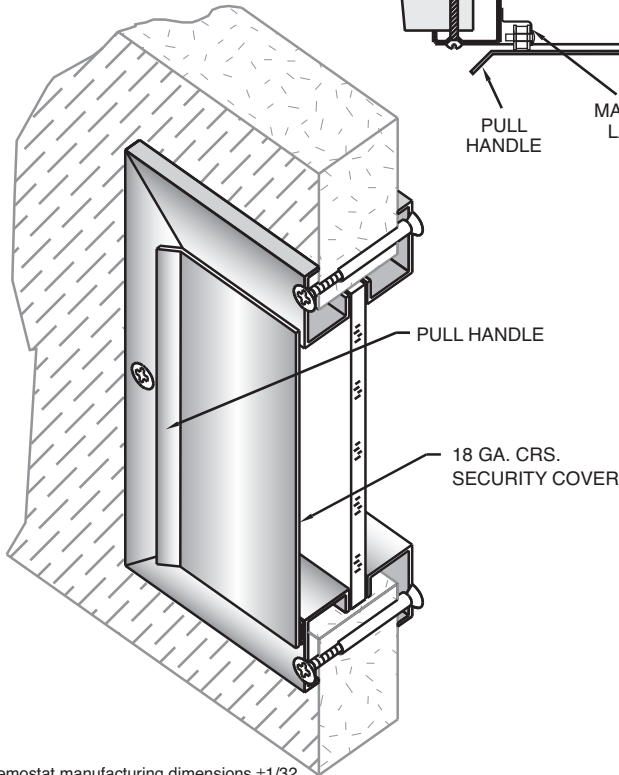
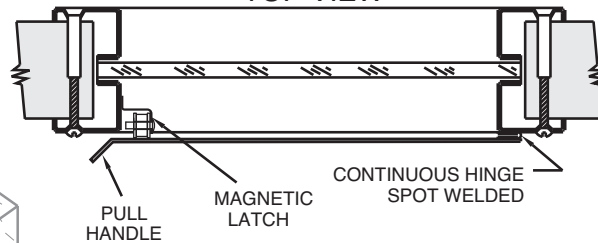


WARNOCK
 HERSEY

B.S.-476.22 British Standard

DETAIL DRAWING

TOP VIEW



Anemostat manufacturing dimensions $\pm 1/32$
 Actual dimensions are nominal and may vary
 based on component manufacturers tolerances.

STANDARD PRODUCT FEATURES

- **MATERIAL:** 18 GA. (1.25mm) Cold Rolled Steel.
- **SECURITY COVER:** 18 GA. (1.25mm) C.R.S. operating panel spot welded with continuous hinge to one side of metal vision frame. Closes to a magnetic latch. Opens with a metal pull handle.
- **FINISH:** Grey Primer, Beige or Bronze Baked Enamel.
- **INSTALLATION:** By drilling 1/4" (6mm) holes thru the door, around the perimeter of the door cutout. Frame has countersunk mounting holes for #8x32 Pinned Torx security screw thru bolts with a blank head on one side for flush appearance.
- **DOOR THICKNESS:** For 1 3/4" (44mm) Wood and Metal Doors.
- **GLAZING:** Should be 1/4" (6mm). Glazing space of 5/16" (8mm) allows for glazing tape to be used on both sides of the glass.
- **IMPORTANT:** Interpretation of building and fire codes may vary. Consult with the local authority having jurisdiction in your area, to determine appropriate Standards.

OPTIONAL FEATURES

- **MATERIAL:** #304 or #316 Stainless Steel, #4 Finish (Satin), Galvanized (Sheet, Hot Dipped, or Zinc Plated).
- **FINISH:** Custom Baked Enamel Colors (as per sample chip supplied). Plated Finishes to match the lock, hinges and closer.
- **FASTENERS:** Special Security Screw Fasteners, See Page 26, this section.
- **SPECIALS:** Fractional Sizes, Lead Lined for X-ray applications, for Glass or Door thickness (FGS-IS-SC).

FIRE RATINGS (w/ U.L. & W.H.I. classification markings) Positive Pressure

- **20/45/60*90*** MINUTE: Approved listing at 1296 sq.in. (0.836 m²) visible lite max. width 54" (1372mm), max. height 54" (1372mm).
- * Must be used with FIRELITE Plus or NT and Fire listed glazing tape or another manufacturer's equivalent product. Glazing combination must be used in appropriately tested door assembly.

BS 476.22 Timber Doors - 30 min. and 1 hour.
 British Standard Steel Doors - 2 hours (4 hours actual).

- **NOTE:** For exterior use, High Humidity or Salt Air application, product must be Galvanized or Stainless Steel.

Job Name & Location	Submitted by