



# TECHNICAL DATA

FROM

# Anemostat Door Products

4958 Stout Dr. #119, San Antonio, TX 78219

PH: 210.662.6300 • FAX: 210.662.2828

e-mail: [door@anemostat.com](mailto:door@anemostat.com) • website: [www.anemostat.com](http://www.anemostat.com)

# FGS-DBL

METAL VISION FRAME  
FOR  
DOUBLE GLAZING



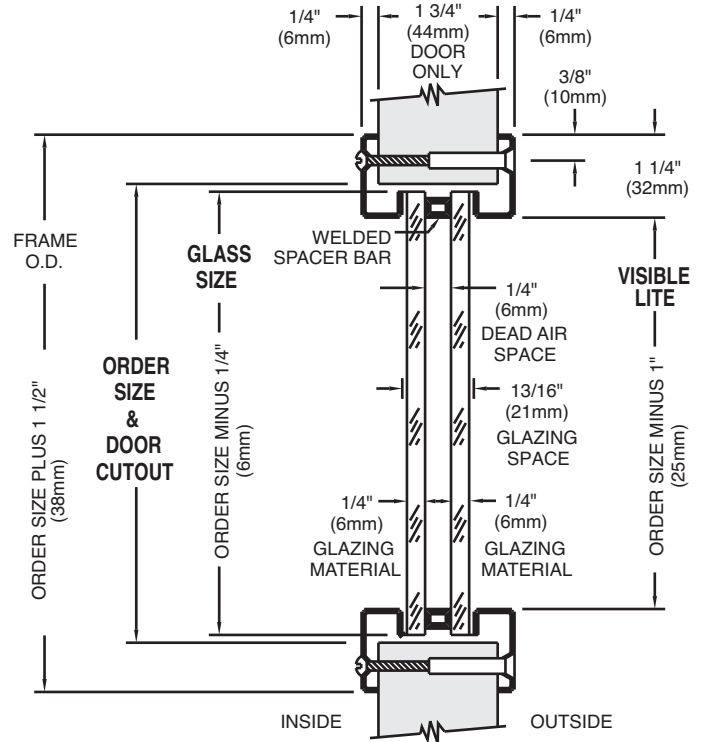
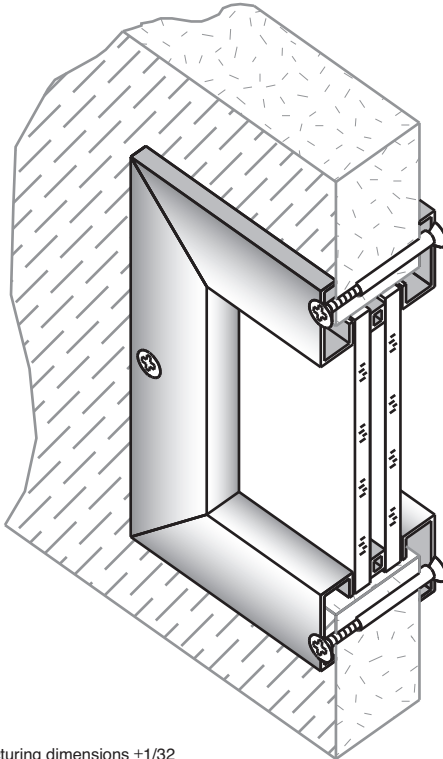
UNDERWRITERS'  
LABORATORIES

FIRE  
RATINGS



WARNOCK  
HERSEY

## DETAIL DRAWING



Anemostat manufacturing dimensions  $\pm 1/32$   
Actual dimensions are nominal and may vary  
based on component manufacturers tolerances.

### STANDARD PRODUCT FEATURES

- **MATERIAL:** 18 GA. (1.25mm) Cold Rolled Steel.
- **FINISH:** Grey Primer, Beige or Bronze Baked Enamel.
- **INSTALLATION:** By drilling 1/4" (6mm) holes thru the door, around the perimeter of the door cutout. Frame has countersunk mounting holes for #8x32 phillips head steel thru bolts with a blank head on one side for flush appearance.
- **DOOR THICKNESS:** For 1 3/4" (44mm) Wood or Metal Doors.
- **GLAZING:** Should be two 1/4" (6mm) pieces separated by a 1/4" (6mm) spacer (spacer only furnished with vision frame). Glazing space of 1/16" (2mm) over glass and spacer thickness is standard, allowing for glazing tape to be used on both sides of the glass.
- **AESTHETICS:** Tight mitered corners, 90° angle on glass stop for maximum visible lite area.
- **NOTE:** For Exterior use, High Humidity or Salt Air application, product must be Galvanized or Stainless Steel.

### OPTIONAL FEATURES

- **MATERIAL:** #304 or #316 Stainless Steel, #4 Finish(Satin), Galvanized (Coil, Hot Dipped, or Zinc Plated).
- **FINISH:** Custom Baked Enamel Colors (as per sample chip supplied). Plated Finishes to match the lock, hinges and closer.
- **FASTENERS:** Special Security Screw Fasteners, See Page 36, this section.
- **SPECIALS:** Fractional Sizes, Spacer between glass is available in other thicknesses, consult factory for information.

### FIRE RATINGS (w/ U.L. & W.H.I. classification markings) Positive Pressure

- **20/45 MINUTE:** Approved listing at 1296 sq. in. (0.836 m<sup>2</sup>) visible lite. max. width 54" (1372) , max. height 54" (1372).
- **60/90 MINUTE:** Approved listing at 100 sq. in. (0.065m<sup>2</sup>) visible lite. max. width 10" (254mm) , max. height 33" (838mm).
- **IMPORTANT:** Interpretation of building and fire codes may vary. Consult with the local authority having jurisdiction in your area, to determine appropriate standards.

Job Name & Location	Submitted by