

TECHNICAL DATA

FROM

Anemostat

Door Products

4958 Stout Dr. #119, San Antonio, TX 78219
 PH: 210.662.6300 • FAX: 210.662.2828

e-mail: door@anemostat.com • website: www.anemostat.com

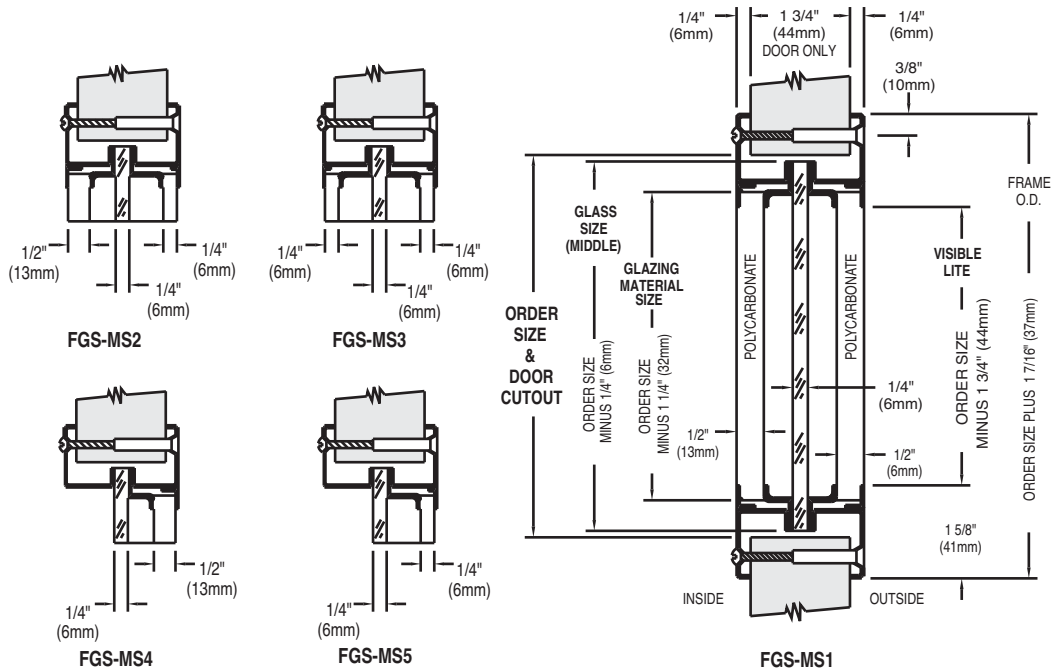
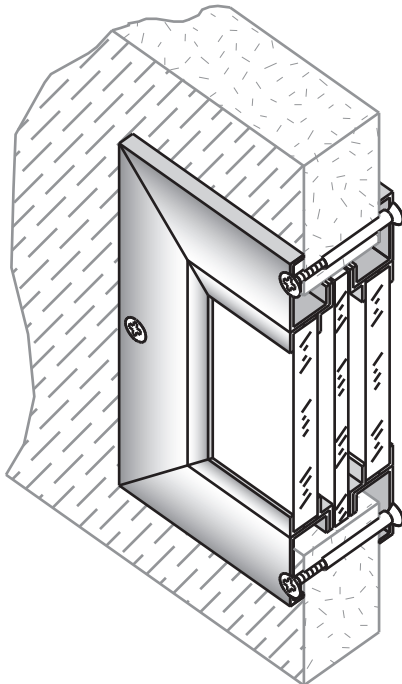
FGS-MS

METAL VISION FRAME

HIGH SECURITY
 IMPACT RESISTANT

NOT FIRE RATED

DETAIL DRAWING



Anemostat manufacturing dimensions $\pm 1/32$
 Actual dimensions are nominal and may vary
 based on component manufacturers tolerances.

STANDARD PRODUCT FEATURES

- MATERIAL:** 18 GA. (1.25mm) Cold Rolled Steel Frame.
- FINISH:** Grey Primer, Beige or Bronze Baked Enamel.
- INSTALLATION:** By drilling 1/4" (6mm) holes thru the door, around the perimeter of the door cutout. Frame has countersunk mounting holes for #8x32 one way vandal proof security screw thru bolts with a blank head on one side for flush appearance.
- DOOR THICKNESS:** For 1 3/4" (44mm) Wood or Metal Doors
- GLAZING:** Incorporates use of 1/4" (6mm) safety rated glazing with 1/4" (6mm) and/or 1/2" (13mm) glazing material on interior and/or exterior security installations.
- USES:** Products are designed for high and medium security installations where protection from vandalism, or forced entry/exit is necessary.
- NOTE:** For Exterior use, High Humidity or Salt Air application, product must be Galvanized or Stainless Steel.

OPTIONAL FEATURES

- MATERIAL:** #304 or #316 Stainless Steel, #4 Finish (Satin), Galvanized (Coil, Hot Dipped, or Zinc Plated).
- FINISH:** Custom Baked Enamel Colors (as per sample chip supplied). Plated Finishes to match the lock, hinges and closer.
- FASTENERS:** Special Security Screw Fasteners, See Page 26, this section.
- SPECIALS:** Fractional Sizes, Lead Lined for X-ray applications.

FIRE RATINGS

- FGS-MS is not fire rated.**
 (For Fire Rating see FGS-MS-FR, page 18, this section)
- IMPORTANT:** Interpretation of building and fire codes may vary. Consult with the local authority having jurisdiction in your area, to determine appropriate standards.

Job Name & Location	Submitted by