



TECHNICAL DATA

FROM

Anemostat

Door Products

4958 Stout Dr. #119, San Antonio, TX 78219
 PH: 210.662.6300 • FAX: 210.662.2828

e-mail: door@anemostat.com • website: www.anemostat.com

FLDL-W1

EXPANDABLE

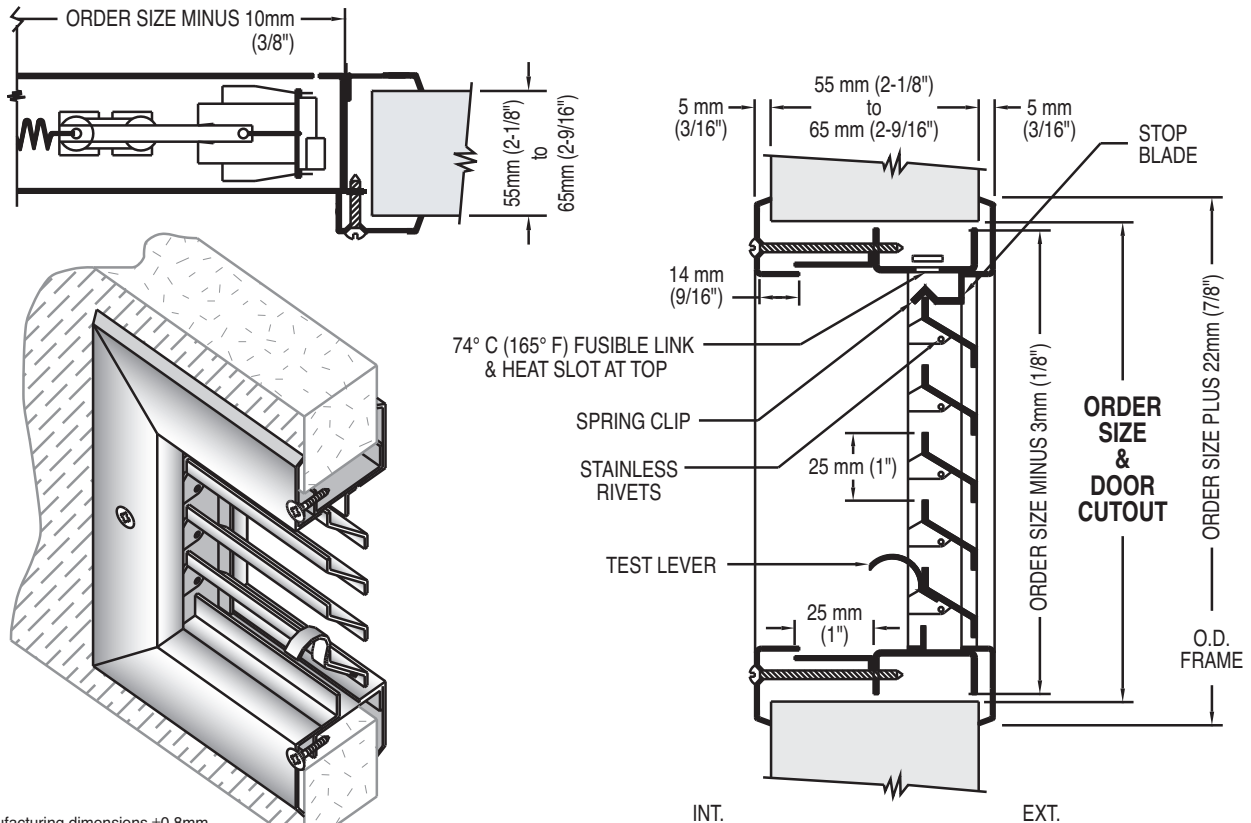
FIRE RATED FUSIBLE LINK LOUVER

FIRE
RATINGS

B.S.-476.22
British Standard

EN-1634
Integrity

DETAIL DRAWING



Anemostat manufacturing dimensions $\pm 0.8\text{mm}$
 Actual dimensions are nominal and may vary
 based on component manufacturers tolerances.

STANDARD PRODUCT FEATURES

- **MATERIAL:** 1.2 mm (18 GA) Galvanized Steel Frame and Louver Blades, 1.5 mm (16 GA) inner support members.
- **FINISH:** RAL 9006 Silver Baked Enamel, Gray Primer, Beige or Bronze Baked Enamel
- **INSTALLATION:** Self attaching using #8 x 38mm (1-1/2") or 45mm (1-3/4") phillips head screws that fasten the auxiliary frame to the louver core, thru the cut out in the door. The corridor side of the frame is free of fasteners for added security.
- **DOOR THICKNESS:** Expandable from 55mm (2-1/8") to 65mm (2-1/2") Metal or Wood Doors
- **CLOSING ASSEMBLY:** Stainless steel operating springs assure proper action with the closing mechanism.
- **AESTHETICS:** Tight mitered corners and countersunk mounting holes make for a clean appearance.
- **FREE AIR FLOW:** 40% Free Area.
- **IMPORTANT:** Interpretation of building and fire codes may vary. Consult with the local authority having jurisdiction in your area, to determine appropriate standards.
- **NOTE:** For Exterior use, High Humidity or Salt Air application, product must be Galvanized or Stainless Steel.

OPTIONAL FEATURES

- **MATERIAL:** #304 or #316 Stainless Steel, #4 Finish (Satin), Galvanized (Zinc Plated). Not available in Hot Dipped or Aluminum.
- **FINISH:** Custom Baked Enamel Colors (as per sample chip supplied by customer).
- **FASTENERS:** Special security screw fasteners
- **SPECIALS:** Fractional sizes not available.

FIRE RATINGS

BS 476.22

- Approved Testing - Steel Doors - 120 Minutes (E-120)
 Max width 24" (610mm), max height 24" (610mm)
 Min width 10" (254mm), min height 6" (152mm)

EN-1634 - Integrity Only

- Approved Testing - Steel Doors - 90 Minutes (E-90)
 Max width 32" (813mm), max height 32" (813mm)
 Min width 10" (254mm), min height 6" (152mm)

Job Name & Location	Submitted by