

TECHNICAL DATA

FROM

Anemostat

Door Products

4958 Stout Dr. #119, San Antonio, TX 78219
 PH: 210.662.6300 • FAX: 210.662.2828

e-mail: door@anemostat.com • website: www.anemostat.com

FP-24

24" ROUND
 METAL VISION FRAME



UNDERWRITERS'
 LABORATORIES

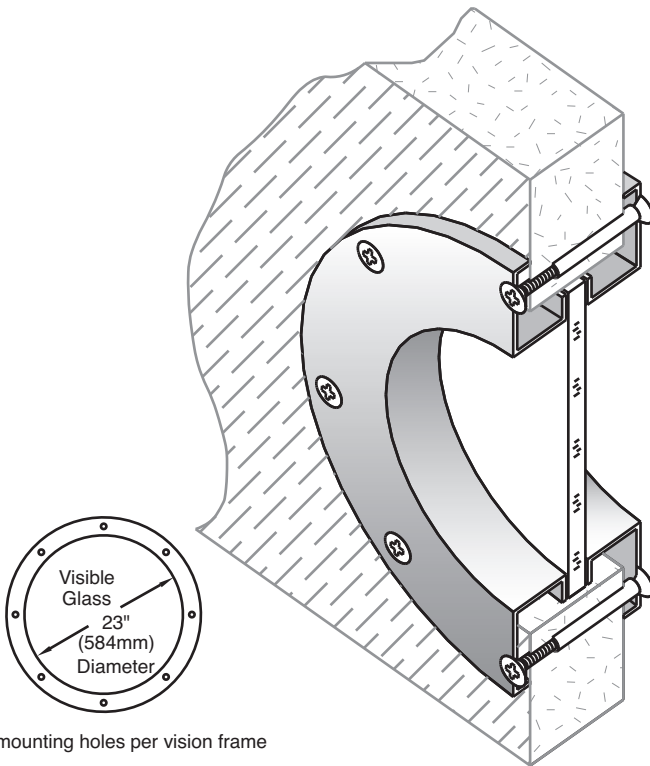
FIRE
 RATINGS



WARNOCK
 HERSEY

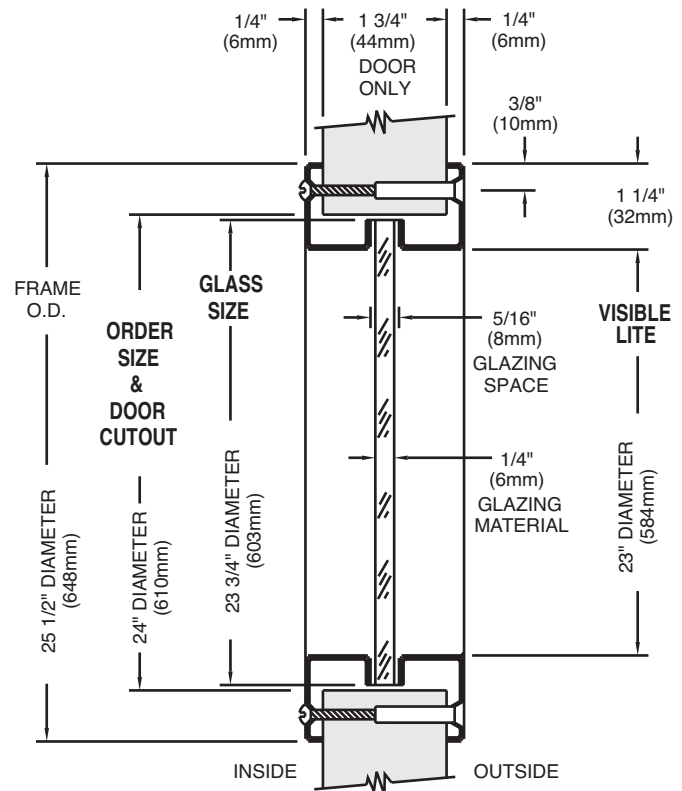
B.S.-476.22
 British Standard

DETAIL DRAWING



8 mounting holes per vision frame

Anemostat manufacturing dimensions $\pm 1/32$
 Actual dimensions are nominal and may vary
 based on component manufacturers tolerances.



STANDARD PRODUCT FEATURES

- MATERIAL:** 18 GA. (1.25mm) Cold Rolled Steel.
- FINISH:** Grey Primer, Beige or Bronze Baked Enamel.
- INSTALLATION:** By drilling 1/4" (6mm) holes thru the door, around the perimeter of the door cutout. Frame has countersunk mounting holes for #8x32 phillips head steel thru bolts with a blank head on one side for flush appearance.
- DOOR THICKNESS:** For 1 3/4" (44mm) Wood or Metal Doors.
- GLAZING:** Should be 1/4" (6mm) or 3/16" (5mm) fire and/or safety rated with U.L. and/or W.H.I. classification markings. Glazing space of 5/16" (8mm) allows for glazing tape to be used on both sides of the glass.
- AESTHETICS:** Smooth round contour of frame style gives a unique design to any setting.
- NOTE:** For Exterior use, High Humidity or Salt Air application, product must be Galvanized or Stainless Steel.
- PLEASE NOTE:** On visible lite sizes larger than 1296 sq. in. (0.836 m²) on 20/45 min. and 100 sq. in. (0.065 m²) on 60/90/180 min., please consult with your Door / Frame Manufacturer's procedures, for their maximum glass size tested.

OPTIONAL FEATURES

- MATERIAL:** #304 or #316 Stainless Steel, #4 Finish(Satin), Galvanized (Hot Dipped or Zinc Plated).
- FINISH:** Custom Baked Enamel Colors (as per sample chip supplied). Plated Finishes to match the lock, hinges and closer.
- FASTENERS:** Special Security Screw Fasteners, See Page 36, this section.
- SPECIALS:** Consult Factory for special diameter sizes and special glass or door thicknesses.

FIRE RATINGS (w/ U.L. & W.H.I. classification markings) Positive Pressure

- 20/45/60*/90* MINUTE:** Approved listing at 380 sq.in. (.025m²) visible lite.
 * Must be used with FIRELITE Plus or NT and Fire listed glazing tape or another manufacturer's equivalent product. Glazing combination must be used in appropriately tested door assembly.
- IMPORTANT:** Interpretation of building and fire codes may vary. Consult with the local authority having jurisdiction in your area, to determine appropriate standards.

BS 476.22 Timber Doors - 30 min. and 1 hour.
 British Standard Steel Doors - 2 hours (4 hours actual).

Job Name & Location	Submitted by