

TECHNICAL DATA

FROM

Anemostat

Door Products

4958 Stout Dr. #119, San Antonio, TX 78219
 PH: 210.662.6300 • FAX: 210.662.2828

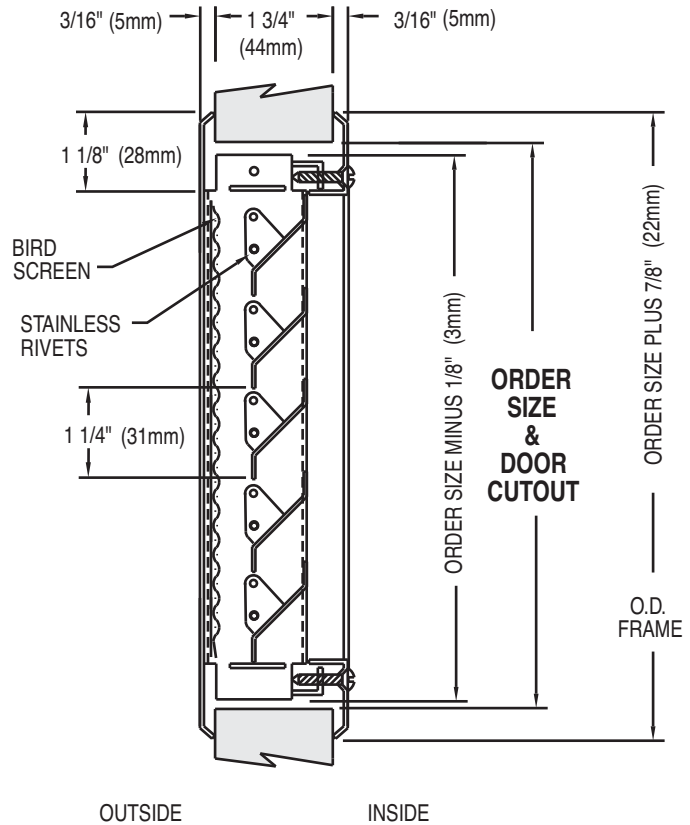
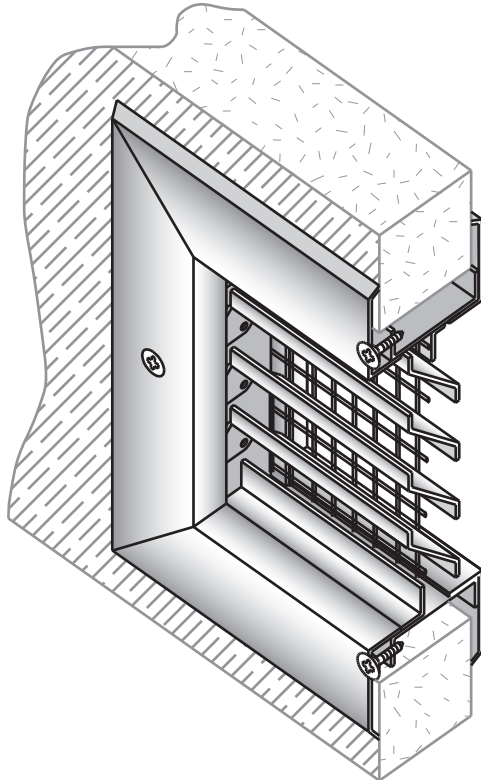
e-mail: door@anemostat.com • website: www.anemostat.com

FPL-1

FIXED POSITION
 SELF ATTACHING
 "Z" BLADE LOUVER

NOT RATED
 FOR FIRE OR WIND RESISTANCE

DETAIL DRAWING



All Dimensions ±1/32

STANDARD PRODUCT FEATURES

- **MATERIAL:** 18 GA. Galvanized Steel, Frame and Louver Blades.
- **FINISH:** Grey Primer, Beige or Bronze Baked Enamel.
- **INSTALLATION:** Self attaching using #8 x 1" phillips head screws that fasten the auxiliary frame to the louver core thru the cutout in the door. The corridor side of the frame is free of fasteners for added security.
- **DOOR THICKNESS:** For 1 3/4" Door.
(available for 1 3/8" Doors).
- **SCREEN:** 1/2" mesh bird screen included.
- **AESTHETICS:** Tight mitered corners and countersunk mounting holes make for a clean appearance.
- **FREE AIR FLOW:** 53.5% Free Area.
- **NOTE:** For Exterior use, High Humidity or Salt Air application, product must be Galvanized or Stainless Steel.

OPTIONAL FEATURES

- **MATERIAL:** #304 Stainless Steel, #4 Finish (Satin), Galvanized (Zinc Plated).
- **FINISH:** Custom Baked Enamel Colors (as per sample chip supplied by customer).
- **FASTENERS:** Special Security Screw Fasteners, See Page 14, this section.
- **SPECIALS:** Fractional sizes not available.
18-14 mesh insert screens, loose or attached. (Galvanized, Aluminum, Charcoal Aluminum, Stainless Steel)

SPECIAL RATINGS

- FPL-1 is not rated for fire or wind resistance.
- FPL-1 is not approved by Florida Power and Light.
- **IMPORTANT:** Interpretation of building and fire codes may vary. Consult with the local authority having jurisdiction in your area, to determine appropriate standards.

Job Name & Location	Submitted by