

TECHNICAL DATA

FROM

Anemostat

Door Products

4958 Stout Dr. #119, San Antonio, TX 78219
 PH: 210.662.6300 • FAX: 210.662.2828

e-mail: door@anemostat.com • website: www.anemostat.com

LoPro™-GR

LO-PROFILE
 METAL VISION FRAME WITH
 SECURITY GRILLE ONE SIDE



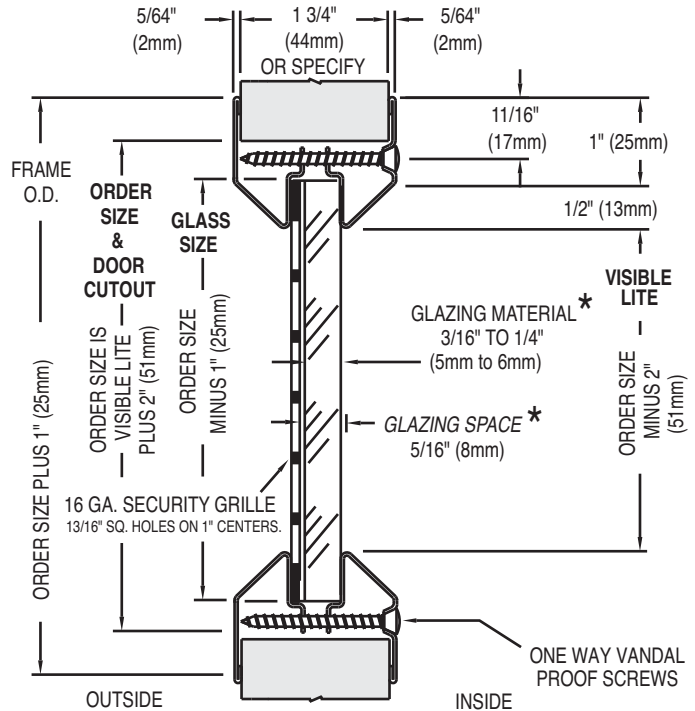
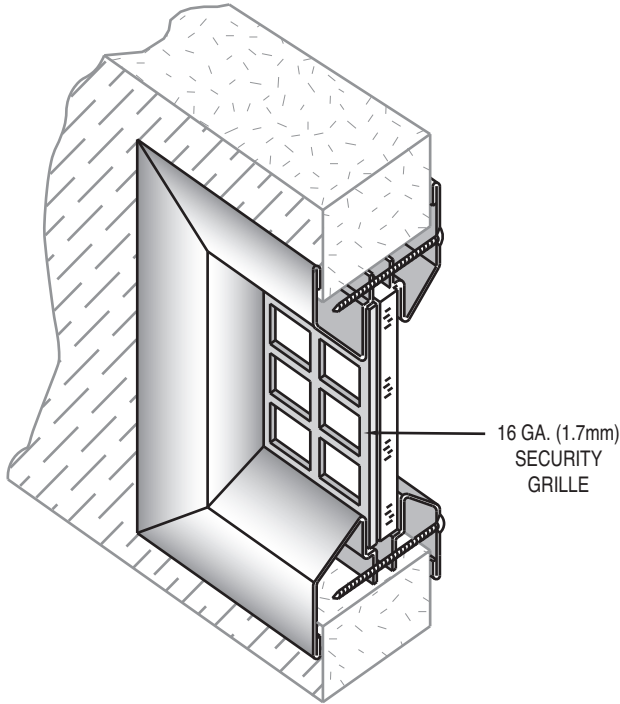
UNDERWRITERS'
 LABORATORIES

FIRE
 RATINGS



WARNOCK
 HERSEY

DETAIL DRAWING



Anemostat manufacturing dimensions ±1/32
 Actual dimensions are nominal and may vary
 based on component manufacturers tolerances.

* GLAZING SPACE and THICKNESS of GLAZING TAPE or COMPOUND USED WILL VARY BASED on GLAZING MATERIAL THICKNESS

STANDARD PRODUCT FEATURES

- **MATERIAL:** 20 GA. (1mm) Cold Rolled Steel with 16 GA. grille welded to frame.
- **FINISH:** Grey Primer, Beige or Bronze Baked Enamel.
- **INSTALLATION:** Uses 1 3/4" (44mm) one way vandal proof security sheet metal screws that pass through the door cutout, and fastens to the opposite side of the vision frame, thus eliminating the need to drill the door for thru bolts and saving installation time and labor. It also leaves the corridor side of the frame free of fasteners for added security and a cleaner, more aesthetic appearance.
- **DOOR THICKNESS:** Specified by customer, 1 3/4" (44mm) is standard.
- **AESTHETICS:** Tight mitered corners, beveled glass stop and a low profile to provide a clean, tapered look.
- **GLAZING:** Tolerance variances in door or glass thickness and type of glazing tape used will affect glazing space, as related to nominal glass dimensions and vision frame used (see Glass and Glazing Materials Section).
- **IMPORTANT:** Interpretation of building and fire codes may vary. Consult with the local authority having jurisdiction in your area, to determine appropriate standards.

OPTIONAL FEATURES

- **MATERIAL:** #304 or #316 Stainless Steel, #4 Finish(Satin), Galvanized (Hot Dipped, or Zinc Plated).
- **FINISH:** Custom Baked Enamel Colors (as per sample chip supplied). Plated Finishes to match the lock, hinges and closer.
- **FASTENERS:** Special Security Screw Fasteners, See Page 26, this section.
- **SPECIALS:** Fractional Sizes. For Special Glass Thickness (LoPro™-IS-GR) up to 3/4" (19mm)

FIRE RATINGS (w/ U.L. & W.H.I. classification markings) Positive Pressure

- **20/45/60*90* MINUTE:** Approved listing at 1296 sq. (0.836 m²) in. visible lite. max. width 54" (1372mm), max. height 54" (1372mm)
 - **3 HOUR*:** Approved listing at 100 sq. in. (0.065 m²) visible lite. max. width 12" (305mm), max. height 33" (838mm)
- *Must be used with FIRELITE Plus or NT and Fire listed glazing tape or another manufacturer's equivalent product. Glazing combination must be used in appropriately tested door assembly.
- **NOTE:** For Exterior use, High Humidity or Salt Air application, product must be Galvanized or Stainless Steel.

Job Name & Location	Submitted by