



TECHNICAL DATA

FROM

Anemostat

Door Products

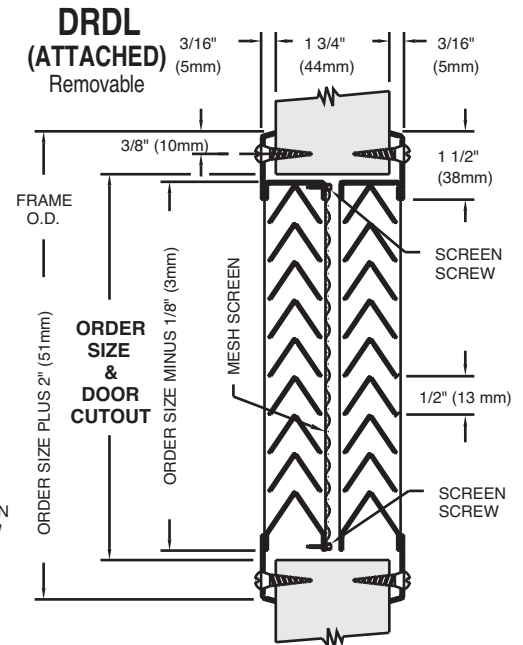
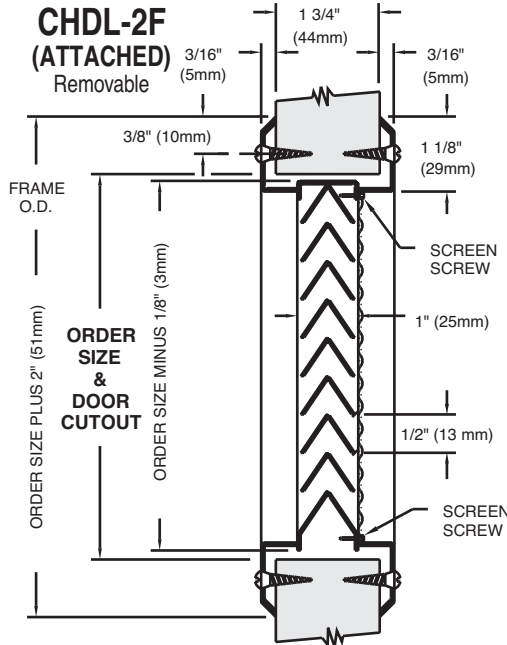
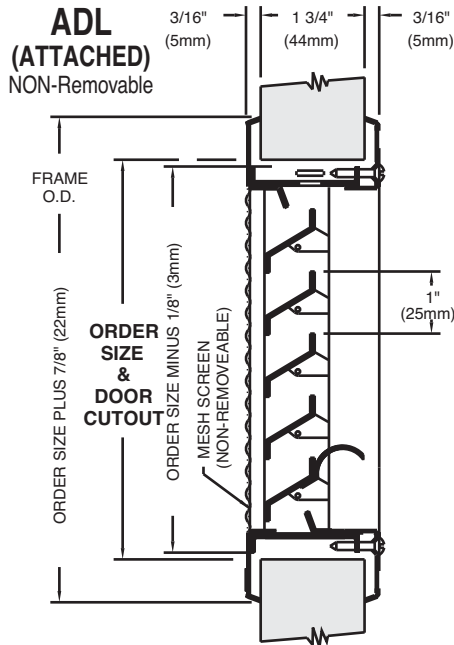
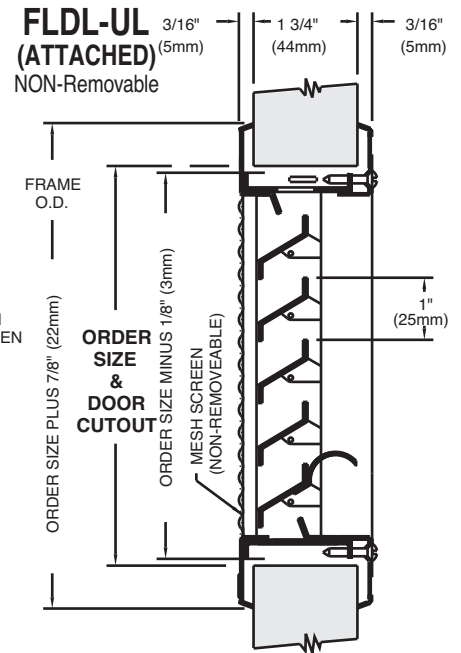
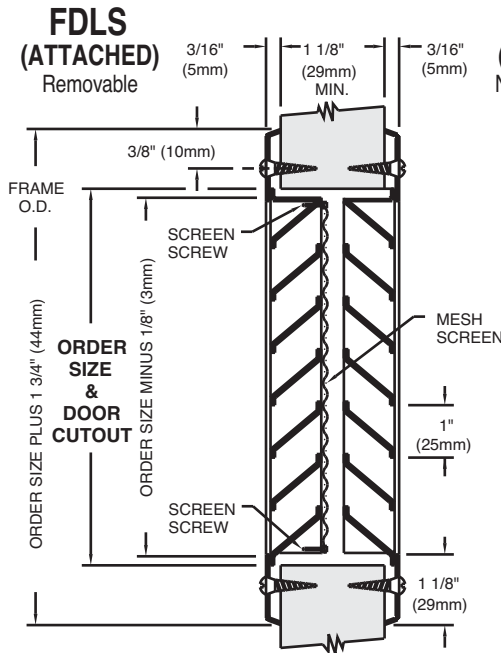
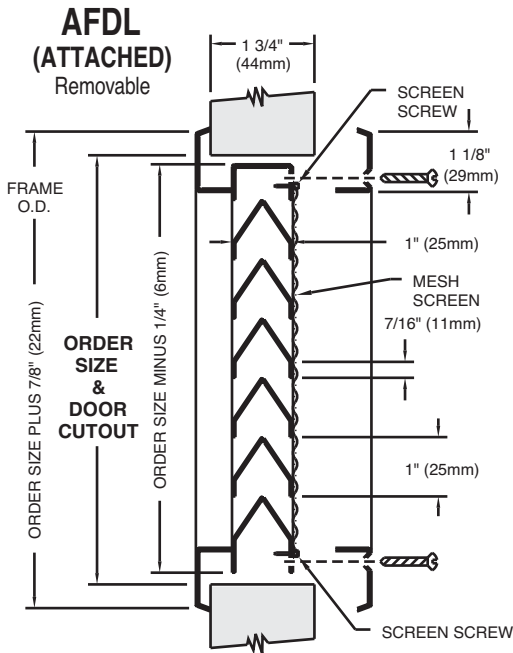
4958 Stout Dr. #119, San Antonio, TX 78219
 PH: 210.662.6300 • FAX: 210.662.2828

e-mail: door@anemostat.com • website: www.anemostat.com

SCREENS

(ATTACHED WITHOUT FRAME)
 FOR
 DOOR LOUVERS

DETAIL DRAWING



Anemostat manufacturing dimensions $\pm 1/32$
 Actual dimensions are nominal and may vary
 based on component manufacturers tolerances.