



# TECHNICAL DATA

FROM

# Anemostat

## Door Products

4958 Stout Dr. #119, San Antonio, TX 78219  
 PH: 210.662.6300 • FAX: 210.662.2828

e-mail: [door@anemostat.com](mailto:door@anemostat.com) • website: [www.anemostat.com](http://www.anemostat.com)

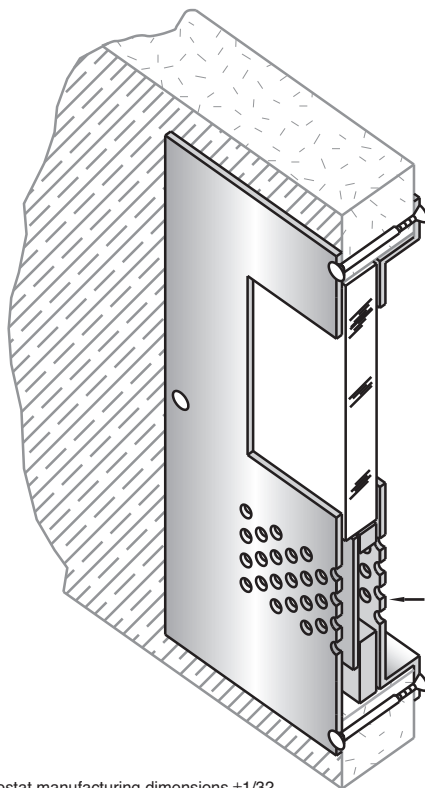
# SG-10-SP

HIGH SECURITY  
 VISION FRAME  
 WITH  
 DOUBLE SPEAK PORT  
 (WITH BAFFLE)

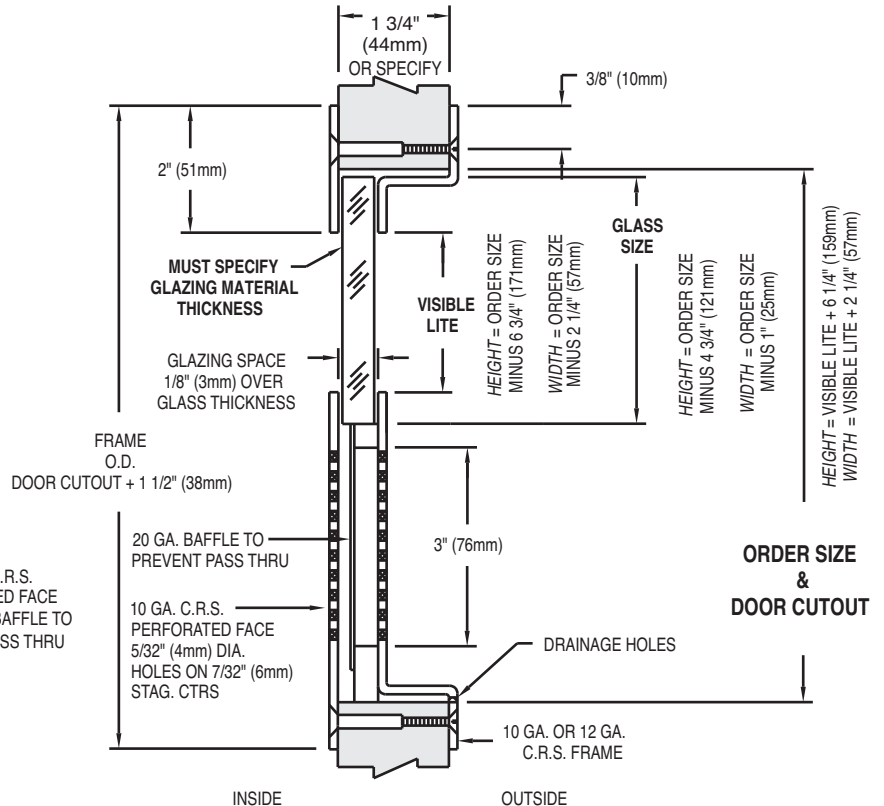
NOT FIRE RATED

MEETS ASTM F-1450-97 †

### DETAIL DRAWING



10 GA. C.R.S.  
 PERFORATED FACE  
 WITH 20 GA. BAFFLE TO  
 PREVENT PASS THRU



Anemostat manufacturing dimensions ±1/32  
 Actual dimensions are nominal and may vary  
 based on component manufacturers tolerances.

#### STANDARD PRODUCT FEATURES

- **MATERIAL:** 10 GA. (3.4mm) Cold Rolled Steel Frame face frame (inside)  
 12 GA. (2.5mm) Cold Rolled Steel Frame back frame (outside)
- **SPEAK PORT:** Two 10 GA. (3.4mm) cold rolled steel plates with perforated faces. 5/32" (4mm) diameter holes on 7/32" (5.5mm) staggered centers, with 20 GA. (0.9mm) baffle to prevent the passing of contraband.
- **FINISH:** Grey Primer, Beige or Bronze Baked Enamel.
- **INSTALLATION:** By drilling 1/4" (6mm) holes thru the door, around the perimeter of the door cutout. Frame has countersunk mounting holes for #8x32 one way vandal proof security screw thru bolts with a blank head on one side for flush appearance.
- **DOOR THICKNESS:** For 1 3/4" (44mm) (std) or up to 2 1/4" (57mm) (specify).
- **GLAZING:** Thickness can range from over 3/16" (5mm) and up to 1 9/16" (40mm). Glazing space of 1/8" (3mm) over glass thickness is standard, allowing for glazing tape to be used on both sides of the glass.
- **NOTE:** For exterior use, High Humidity or Salt Air application, product must be Galvanized or Stainless Steel.

#### OPTIONAL FEATURES

- **MATERIAL:** #304 or #316 Stainless Steel, #4 Finish (Satin), Galvanized (Hot Dipped, or Zinc Plated).
- **FINISH:** Custom Baked Enamel Colors (as per sample chip supplied). Plated Finishes to match the lock, hinges and closer.
- **FASTENERS:** Special Security Screw Fasteners, See Page 26, this section.
- **SPECIALS:** Fractional Sizes, Glass thickness 3/16" (5mm) and up to 1 9/16" (40mm) and Door thickness up to 2 1/4" (57mm).

#### FIRE RATINGS

SG-10-SP is not fire rated

#### IMPACT RATINGS

† Tested in Compliance with ASTM F-1450-97 Must use 1/4" x 20 Thru Bolt blank one side (not shown in drawing, see page 26 this section).

- **IMPORTANT:** Interpretation of building and fire codes may vary. Consult with the local authority having jurisdiction in your area, to determine appropriate standards.

Job Name & Location	Submitted by