



TECHNICAL DATA

FROM

Anemostat

Door Products

4958 Stout Dr. #119, San Antonio, TX 78219
 PH: 210.662.6300 • FAX: 210.662.2828

e-mail: door@anemostat.com • website: www.anemostat.com

SG-10-SSD

HIGH SECURITY
 METAL VISION FRAME
 WITH SECURITY SLIDING DOOR



UNDERWRITERS'
 LABORATORIES

FIRE
 RATINGS

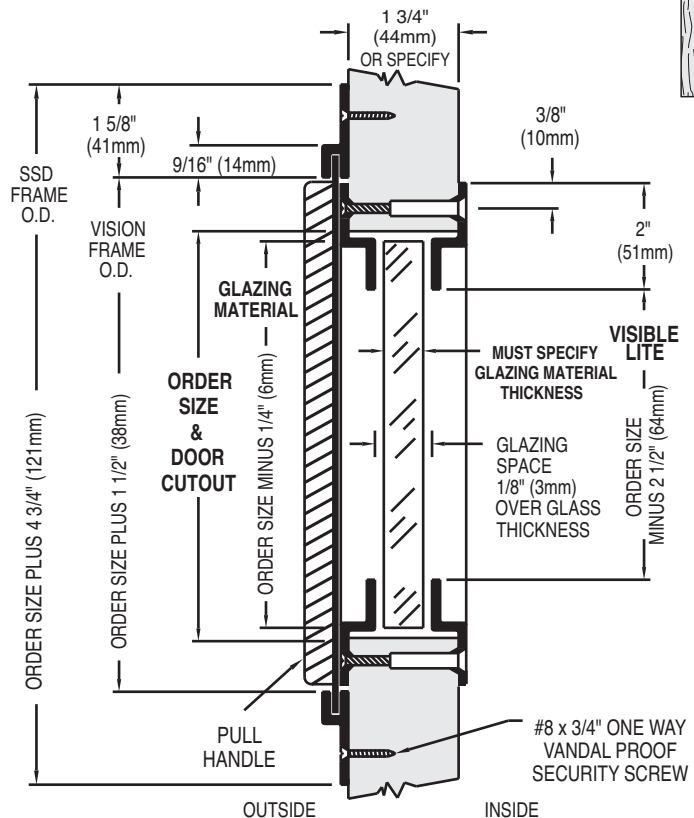
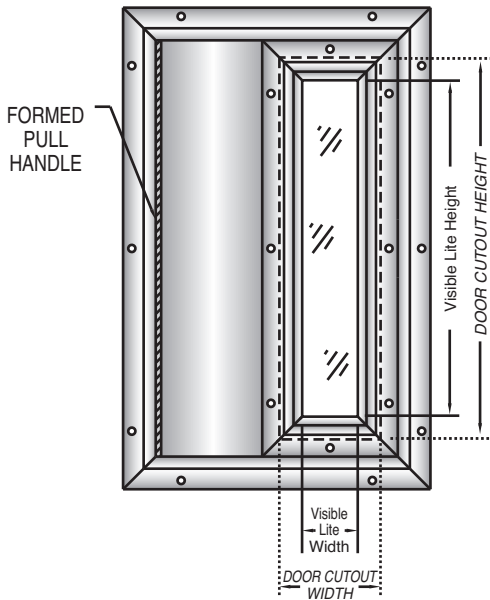


WARNOCK
 HERSEY

B.S.-476.22 British Standard

DETAIL DRAWING

NOTE: Door slides from side to side.
 Non-centered vision frame
 cutout is generally required.



NOTE: Width O.D. DIMENSION of SSD portion will be double the width of actual Door Order / Cutout size plus 6-1/4". Height O.D. DIMENSION will be actual Door Order / Cut-out size plus 4-3/4". Please consider your door width when ordering.

EXAMPLE: 12"X12" Order/Cut-out size= 30-1/4"(12"+12"+6-1/4")x16-3/4"(12"+4-3/4")

RECOMMENDATION: Do Not make cutouts in door prior to receiving SSD products.

Anemostat manufacturing dimensions ±1/32
 Actual dimensions are nominal and may vary
 based on component manufacturers tolerances.

STANDARD PRODUCT FEATURES

- MATERIAL:** SG-10 is: 10 GA. (3.4mm) C.R.S. Frame on glass 3/16" (5mm) to 1" (25mm) thick.
 12 GA. (2.5mm) C.R.S. Frame on glass over 1" (25mm) to 1 9/16" (40mm) thick.
 SSD is: 12 GA. (2.5mm) C.R.S. Frame and Sliding Door.
- FINISH:** Grey Primer, Beige or Bronze Baked Enamel.
- INSTALLATION:** By drilling 1/4" (6mm) holes thru the door around the perimeter of the door cutout. Vision Frame has countersunk mounting holes for #8x32 one way vandal proof security screw thru bolts with a blank head on one side for a flush appearance, and improved security. Sliding door frame fits over vision frame, and installs with #8 x 3/4" one way vandal proof security screws.
- DOOR THICKNESS:** For 1 3/4" (44mm) (std), or up to 2 1/4" (57mm) (specify).
- GLAZING:** Thickness can range from 3/16" (5mm) and up to 1 9/16" (40mm). Glazing space of 1/8" (3mm) over glazing material thickness is standard, allowing for glazing tape to be used on both sides of the glazing material. In order to maintain fire rating, glazing material should also be U.L. and/or W.H.I. listed.

OPTIONAL FEATURES

- MATERIAL:** #304 or #316 Stainless Steel, #4 Finish (Satin), Galvanized (Zinc Plated).
- FINISH:** Custom Baked Enamel Colors (as per sample chip supplied).
- FASTENERS:** Special Security Screw Fasteners, See page 26, this section.
- SPECIALS:** Fractional sizes and other steel gauges (contact factory)

FIRE RATINGS (w/ U.L. & W.H.I. classification markings) Positive Pressure

- 20/45 MINUTE:** Approved listing at 1296 sq.in. (0.836 m²) visible lite max. width 54" (1372mm), max. height 54" (1372mm).
- 60/90 MINUTE:** Approved listing at 100 sq.in. (0.065 m²) visible lite max. width 10" (254mm), max. height 33" (838mm).

BS 476.22 Timber Doors - 30 min. and 1 hour.
 British Standard Steel Doors - 2 hours (4 hours actual).

- NOTE:** For Exterior use, High Humidity or Salt Air application, product must be Galvanized or Stainless Steel.
- IMPORTANT:** Interpretation of building and fire codes may vary. Consult with the local authority having jurisdiction in your area, to determine appropriate standards.

Job Name & Location	Submitted by