

TECHNICAL DATA

FROM

Anemostat

Door Products

4958 Stout Dr. #119, San Antonio, TX 78219
 PH: 210.662.6300 • FAX: 210.662.2828

e-mail: door@anemostat.com • website: www.anemostat.com

SG-10

HIGH SECURITY
 METAL VISION FRAME FOR SPECIAL
 GLASS OR DOOR THICKNESS



UNDERWRITERS'
 LABORATORIES

FIRE
 RATINGS

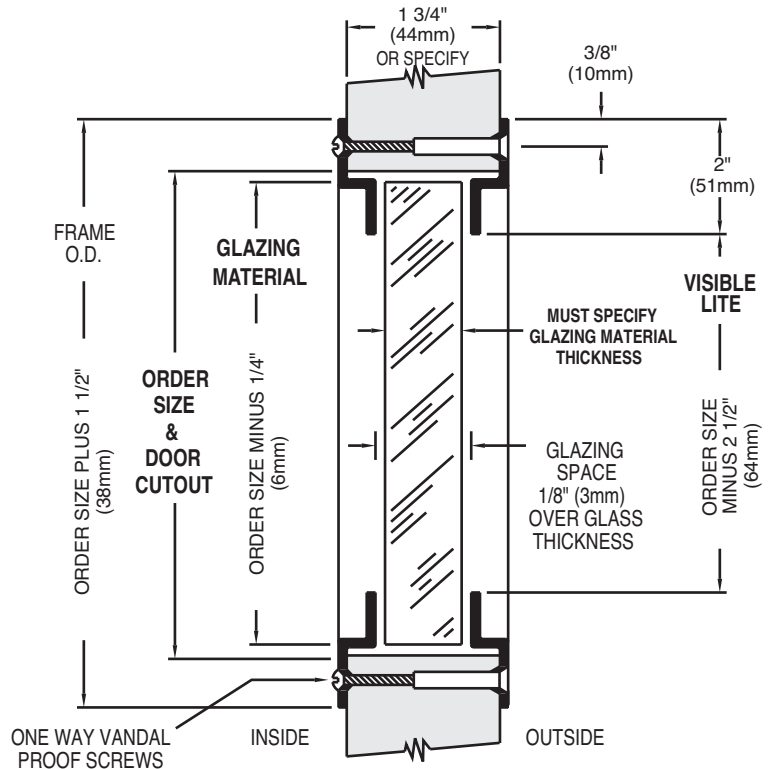
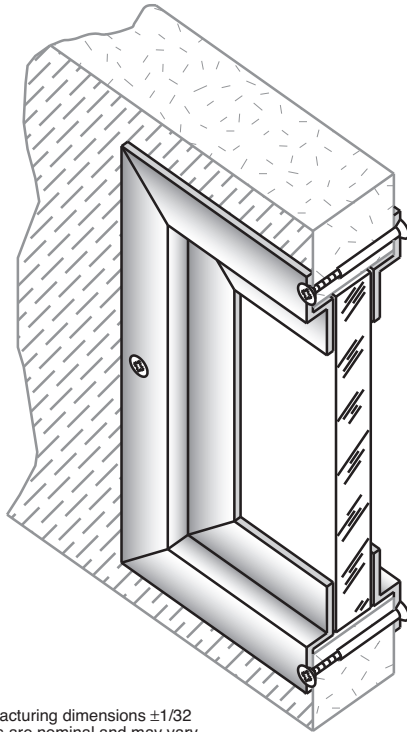


WARNOCK
 HERSEY

MEETS **ASTM F-1450-97** †

B.S.-476.22 British Standard

DETAIL DRAWING



Anemostat manufacturing dimensions ±1/32
 Actual dimensions are nominal and may vary
 based on component manufacturers tolerances.

STANDARD PRODUCT FEATURES

- MATERIAL:** 10 GA. (3.4mm) Cold Rolled Steel Frame on glass 3/16" (5mm) to 1" (25mm) thick.
 12 GA. (2.5mm) Cold Rolled Steel Frame on glass over 1" (25mm) to 1 9/16" (40mm) thick.
- FINISH:** Grey Primer, Beige or Bronze Baked Enamel.
- INSTALLATION:** By drilling 1/4" (6mm) holes thru the door, around the perimeter of the door cutout. Frame has countersunk mounting holes for #8x32 one way vandal proof security screw thru bolts with a blank head on one side for flush appearance and improved security.
- DOOR THICKNESS:** 1 3/4" (44mm) (std), or up to 2 1/4" (57mm) (specify).
- GLAZING:** Thickness can range from over 3/16" (5mm) and up to 1 9/16" (40mm). Glazing space of 1/8" (3mm) over glass thickness is standard, allowing for glazing tape to be used on both sides of the glass. Glazing material should be fire and/or safety rated with U.L. and/or W.H.I. classification markings.
- USES:** For use with glass 3/16" (5mm) and up to 1 9/16" (40mm) thick and high security is required.
- IMPORTANT:** Interpretation of building and fire codes may vary. Consult with the local authority having jurisdiction in your area, to determine appropriate standards.
- NOTE:** For Exterior use, High Humidity or Salt Air application, product must be Galvanized or Stainless Steel.

OPTIONAL FEATURES

- MATERIAL:** #304 or #316 Stainless Steel, #4 Finish (Satin), Galvanized (Zinc Plated).
- FINISH:** Custom Baked Enamel Colors (as per sample chip supplied). Plated Finishes to match the lock, hinges and closer.
- FASTENERS:** Special Security Screw Fasteners, See Page 26, this section.
- SPECIALS:** Fractional sizes, Glass thickness 3/16" (5mm) and up to 1 9/16" (40mm) and Door thickness up to 2 1/4" (57mm).

FIRE RATINGS (w/ U.L. & W.H.I. classification markings) Positive Pressure

- 20/45/60* MINUTE:** Approved listing at 1296 sq. in. visible lite. (max. width 54", max. height 54").
 - 60**/90** MINUTE:** Approved listing at 1080 sq. in. visible lite. (max. width 35", max. height 35").
 - 60/90 MINUTE:** Approved listing at 100 sq. in. visible lite. (max. width 10", max. height 33").
- *Must be used with FIRELITE Plus or NT and Fire listed glazing tape or another manufacturer's equivalent product. Glazing combination must be used in appropriately tested door assembly.
 **Must be used with 7/8" (23mm) or 1-1/16" (27mm) Pyrostop and fire listed glazing tape, and be used in an appropriately tested door assembly.

IMPACT RATINGS

† Tested in Compliance with ASTM F-1450-97 Must use 1/4" x 20 Thru Bolt blank one side (not shown in drawing, see page 26 this section).

BS 476.22 British Standard
 Timber Doors - 30 min. and 1 hour.
 Steel Doors - 2 hours (4 hours actual).

Job Name & Location	Submitted by