

TECHNICAL DATA
FROM
Anemostat
Door Products

4958 Stout Dr. #119, San Antonio, TX 78219
PH: 210.662.6300 • FAX: 210.662.2828

e-mail: door@anemostat.com • website: www.anemostat.com

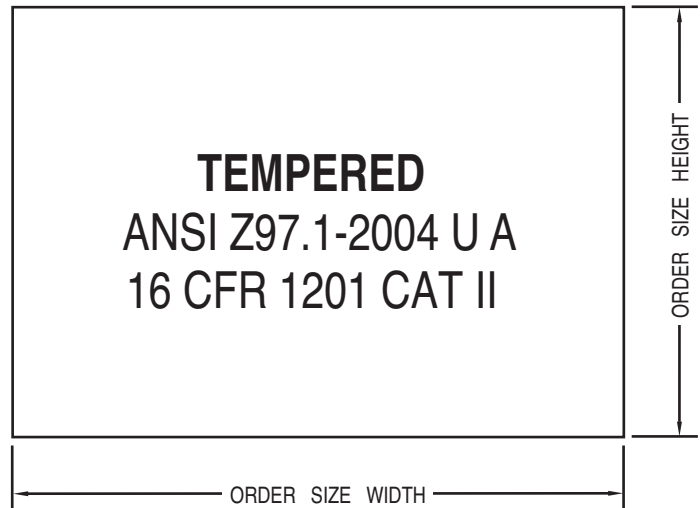
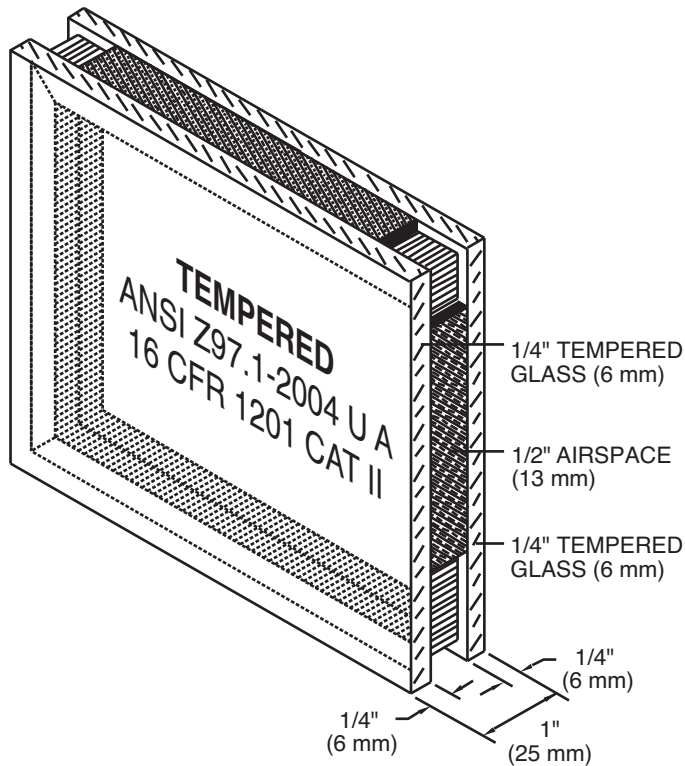
Tempered IGU
1" (25mm) INSULATED

NOT
FIRE RATED



CATEGORY II IMPACT/SAFETY RATED
ANSI Z97.1 2004 U A

DETAIL DRAWING



STANDARD PRODUCT FEATURES

- **MATERIAL:** 1/4" (6mm) clear Tempered Glass is fully heat treated strengthened glass which is stronger than ordinary float glass.
- **INSTALLATION:** Tempered IGU shall be glazed into the appropriate framing with 1/16" (1.6mm) glazing tape (supplied loose) to both sides of glass.
- **STRENGTH:** It has bending and impact strengths which are 3 to 5 times higher than those of annealed glasses of the same thickness.
- **THERMAL SHOCK STRENGTH:** Is approximately three times as resistant to rapid temperature changes as annealed glass.
- **SAFETY:** Tempered Glass breaks into small particles upon impact, preventing serious injury, unlike annealed glass which can break into large, sharp pieces.
- **USES:** For applications where energy codes require an insulated unit and for interior applications for special needs such as sound reduction in non-fire rated doors and sidelites.

OPTIONAL FEATURES

- **COLORS:** Available in Bronze, Gray, Graylite, and Obscure.
- **SIZES:** Customized shapes to fit almost any shape vision frame. CANNOT be cut after manufacturing.

IMPACT / SAFETY RATINGS

- Meets ANSI Z97.1-2004 U A and CPSC 16 CFR 1201 Category II, Impact Test Standard.

SOUND RATINGS with LoPro-STC

- **LoPro-STC with Tempered IGU:** STC - 35 (Safety Rated Only)
- **TESTED SIZE:** 24" X 36" CUTOUT / ASSEMBLY
- **TESTED IN ACCORDANCE WITH:** ASTM E90-09 and ASTM E2235-04. STC measurements determined in accordance with ASTM E413-04. Testing conducted at Western Electro - Acoustic Laboratory, Santa Clarita, CA.

CONFORMS TO THE FOLLOWING

- **ASTM C1036**
- **ASTM C1048**

Job Name & Location	Submitted by